

03-04. CILINDRI COMPATTI INOX ISO 21287 Ø20-100

ISO 21287 STAINLESS STEEL COMPACT CYLINDERS Ø20-100

Cilindri compatti a norma ISO 21287 in versione interamente inox. Disponibili in versione magnetica, doppio effetto, a stelo singolo o passante, anti rotazione o non. Compatibile con la gamma di accessori ISO 15552. Su richiesta sono disponibili in varie esecuzioni speciali.

ISO 21287 compact cylinders, stainless steel version. Available with magnet, double acting, single or through piston rod, non-rotating or not. Compatible with ISO 15552 mounting accessories. Special versions are available.



AISI316 SU RICHIESTA
ON REQUEST

Informazioni tecniche Technical information

| | | | |
|-----------------------------------|---|---|--|
| Testate Covers | Acciaio inox AISI 304 Stainless steel AISI 304 | Stelo Piston rod | Acciaio inox AISI 316 Stainless steel AISI 316 |
| Tubo Tube | Acciaio inox AISI 304 Stainless steel AISI 304 | Fluido Working fluid | Aria compressa filtrata, lubrificata e non Filtered, lubricated or not compressed air |
| Tiranti Tie rods | Acciaio inox AISI 316 Stainless steel AISI 316 | Temperatura di impiego Working temperature | -20°C +80°C con aria secca -20°C +80°C with dry air |
| Guarnizioni Seals | Poliuretano e NBR Polyurethane and NBR | Pressione MAX MAX pressure | 10 bar |
| Boccola guida Guiding bush | Plastica Plastic | | |

Chiavi di codifica Cylinders key code

| Versione Version | Diametro Diameter | Corsa Stroke | Serie Series | Varianti Variants |
|--|-------------------|--------------|---|--|
| CDEM Doppio effetto magnetico Double acting magnetic | 20 | 0... 500 | KSF Filettatura femmina Female thread | - Standard Standard |
| CDEMP Doppio effetto stelo passante magnetico Double acting through rod magnetic | 25 | | KSM Filettatura maschio Male thread | V Guarnizioni FKM FKM seals |
| | 32 | | KSR Antirotazione Non rotating | VG Guarnizione stelo FKM FKM rod seal |
| | 40 | | | SD Senza dado stelo Without rod nut |
| | 50 | | | PG Lubrificante basso attrito Low friction lubricant |
| | 63 | | | SF Lubrificante silconico Silicone lubricant |
| | 80 | | | UH Lubrificazione FDA FDA Lubrication |
| | 100 | | | EX Certificazione ATEX ATEX certification |
| | | | | P... Stelo prolungato Piston rod extension |

Esempio Example (CDEM 20 / 100 KSF VG)

| | | | | | |
|-------------|----|---|-----|-----|----|
| CDEM | 20 | / | 100 | KSF | VG |
|-------------|----|---|-----|-----|----|

IN CASO DI VERSIONE STANDARD, LASCIARE VUOTO
LEAVE EMPTY IN CASE OF STANDARD VERSION

Corse standard cilindro doppio effetto Standard strokes double acting cylinder

| Ø [mm] | Corse standard [mm] Standard strokes [mm] | | | | | | | | |
|------------|---|----|----|----|----|----|----|----|----|
| 20 | 5 | 10 | 15 | 20 | 25 | 30 | 40 | 50 | 60 |
| 25 | 5 | 10 | 15 | 20 | 25 | 30 | 40 | 50 | 60 |
| 32 | 5 | 10 | 15 | 20 | 25 | 30 | 40 | 50 | 60 |
| 40 | 5 | 10 | 15 | 20 | 25 | 30 | 40 | 50 | 60 |
| 50 | 5 | 10 | 15 | 20 | 25 | 30 | 40 | 50 | 60 |
| 63 | 5 | 10 | 15 | 20 | 25 | 30 | 40 | 50 | 60 |
| 80 | 5 | 10 | 15 | 20 | 25 | 30 | 40 | 50 | 60 |
| 100 | 5 | 10 | 15 | 20 | 25 | 30 | 40 | 50 | 60 |

Forze teoriche a 6 bar Theoretical forces at 6 bar

| Ø [mm] | Forza di spinta [N] Thrust force [N] | Forza di trazione [N] Traction force [N] |
|------------|---|---|
| 20 | 188 | 141 |
| 25 | 294 | 247 |
| 32 | 482 | 414 |
| 40 | 754 | 633 |
| 50 | 1178 | 989 |
| 63 | 1869 | 1681 |
| 80 | 3014 | 2720 |
| 100 | 4710 | 4416 |

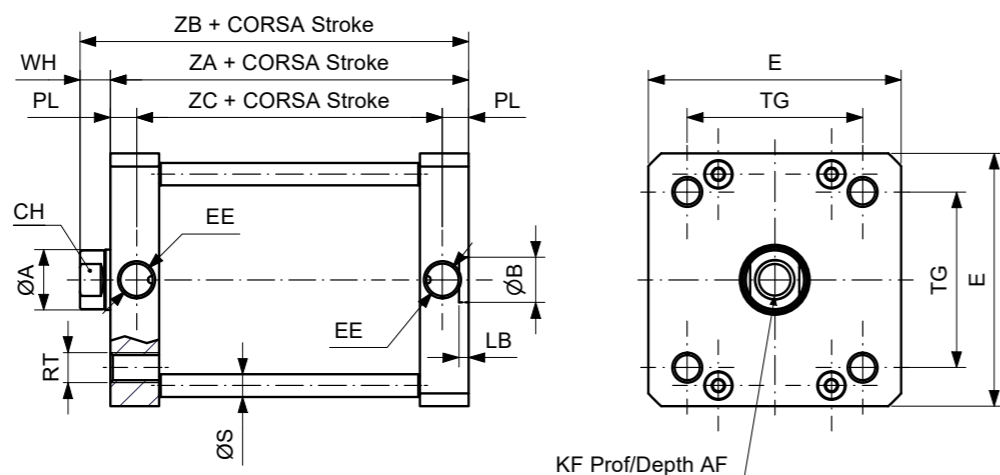
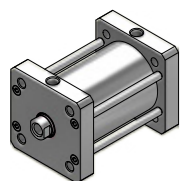
A richiesta On request

| Simbolo Symbol | Caratteristiche Features |
|----------------|--|
| | Filettature e steli su richiesta Custom made thread or piston rod |
| | Resistente alle basse temperature -40°C...+80°C Low temperature resistant -40°C...+80°C |
| | Resistente alle alte temperature -10°C...+150°C High temperature resistant -10°C...+150°C |
| | Guarnizione stelo ad elevata resistenza chimica Rod seal with increased chemical resistance |
| | Basso attrito Low friction |
| | Configurazione tandem a più posizioni Multi position configuration |
| | Configurazione tandem a doppia spinta Double thrust tandem configuration |
| | Configurazione tandem contrapposti anteriore Front opposed tandem configuration |
| | Configurazione tandem contrapposti posteriore Rear opposed tandem configuration |



DOPPIO EFFETTO MAGNETICO STELO FEMMINA DOUBLE ACTING MAGNETIC FEMALE PISTON ROD

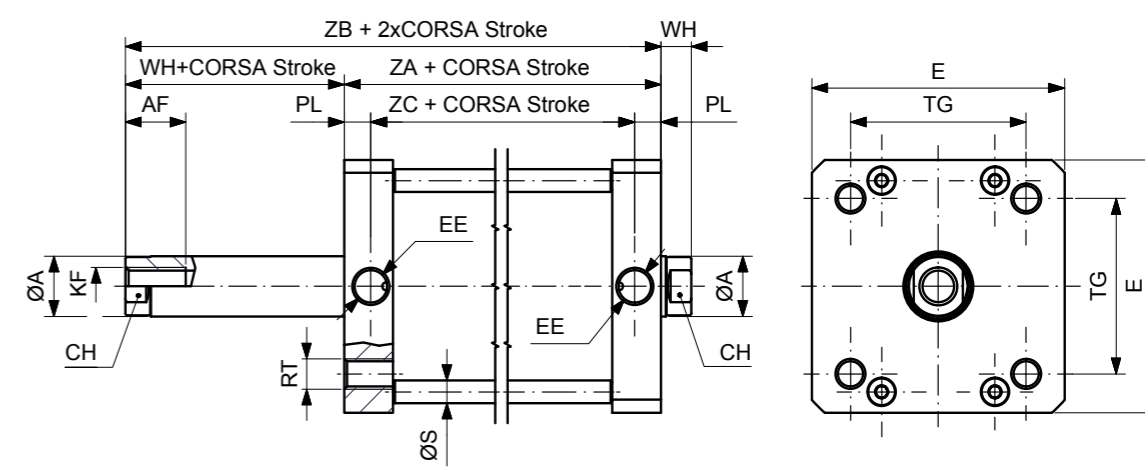
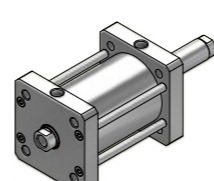
CDEMØ/...KSF



| Ø | ØA | CH | AF | WH | ZA | ZB | ZC | KF | EE | TG | E | RT | PL | ØB | LB | ØS |
|-----|----|----|----|----|----|----|------|----------|--------|------|-----|---------|------|----|-----|----|
| 20 | 10 | 9 | 10 | 6 | 37 | 43 | 23.5 | M6X1 | M5X0.8 | 22 | 32 | M5X0.8 | 6.75 | 9 | 2.1 | 6 |
| 25 | 10 | 9 | 10 | 6 | 39 | 45 | 25 | M6X1 | M5X0.8 | 26 | 36 | M5X0.8 | 7 | 9 | 2.1 | 6 |
| 32 | 12 | 10 | 12 | 7 | 44 | 51 | 29 | M8X1.25 | 1/8"G | 32.5 | 50 | M6X1 | 7.5 | 9 | 2.1 | 6 |
| 40 | 12 | 10 | 12 | 7 | 45 | 52 | 31 | M8X1.25 | 1/8"G | 38 | 57 | M6X1 | 7 | 9 | 2.1 | 6 |
| 50 | 16 | 13 | 16 | 8 | 45 | 53 | 31 | M10X1.5 | 1/8"G | 46.5 | 67 | M8X1.25 | 7 | 12 | 2.6 | 6 |
| 63 | 16 | 13 | 16 | 8 | 49 | 57 | 34 | M10X1.5 | 1/8"G | 56.5 | 80 | M8X1.25 | 7.5 | 12 | 2.6 | 8 |
| 80 | 20 | 17 | 20 | 10 | 54 | 64 | 38 | M12X1.75 | 1/8"G | 72 | 96 | M10X1.5 | 8 | 12 | 2.6 | 8 |
| 100 | 25 | 21 | 20 | 10 | 67 | 77 | 46 | M12X1.75 | 1/8"G | 89 | 116 | M10X1.5 | 10.5 | 12 | 2.6 | 10 |

DOPPIO EFFETTO MAGNETICO PASSANTE STELO FEMMINA DOUBLE ACTING MAGNETIC THROUGH AND FEMALE PISTON ROD

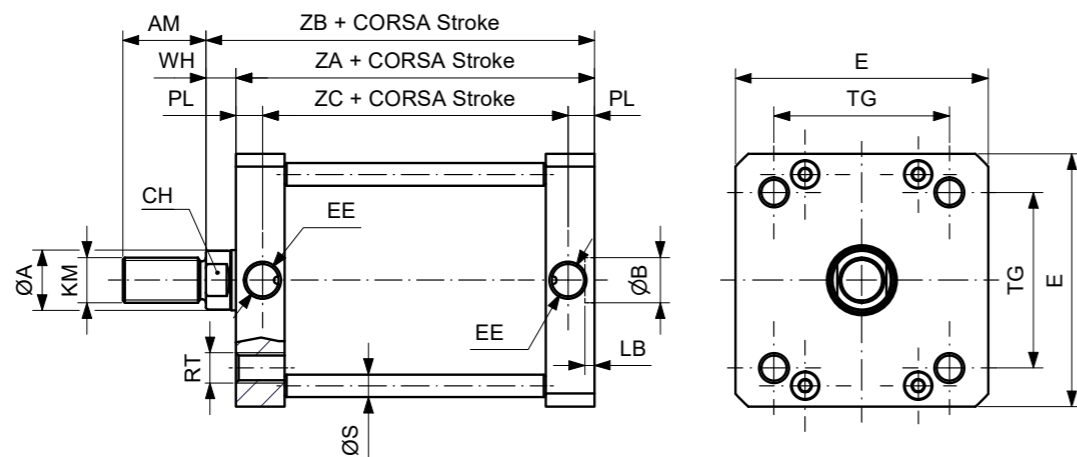
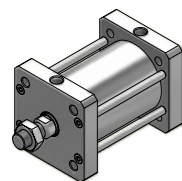
CDEMPØ/...KSF



| Ø | ØA | CH | AF | WH | ZA | ZB | ZC | KF | EE | TG | E | RT | PL | ØS |
|-----|----|----|----|----|----|----|------|----------|--------|------|-----|---------|------|----|
| 20 | 10 | 9 | 10 | 6 | 37 | 43 | 23.5 | M6X1 | M5X0.8 | 22 | 32 | M5X0.8 | 6.75 | 6 |
| 25 | 10 | 9 | 10 | 6 | 39 | 45 | 25 | M6X1 | M5X0.8 | 26 | 36 | M5X0.8 | 7 | 6 |
| 32 | 12 | 10 | 12 | 7 | 44 | 51 | 29 | M8X1.25 | 1/8"G | 32.5 | 50 | M6X1 | 7.5 | 6 |
| 40 | 12 | 10 | 12 | 7 | 45 | 52 | 31 | M8X1.25 | 1/8"G | 38 | 57 | M6X1 | 7 | 6 |
| 50 | 16 | 13 | 16 | 8 | 45 | 53 | 31 | M10X1.5 | 1/8"G | 46.5 | 67 | M8X1.25 | 7 | 6 |
| 63 | 16 | 13 | 16 | 8 | 49 | 57 | 34 | M10X1.5 | 1/8"G | 56.5 | 80 | M8X1.25 | 7.5 | 8 |
| 80 | 20 | 17 | 20 | 10 | 54 | 64 | 38 | M12X1.75 | 1/8"G | 72 | 96 | M10X1.5 | 8 | 8 |
| 100 | 25 | 21 | 20 | 10 | 67 | 77 | 46 | M12X1.75 | 1/8"G | 89 | 116 | M10X1.5 | 10.5 | 10 |

DOPPIO EFFETTO MAGNETICO STELO MASCHIO DOUBLE ACTING MAGNETIC MALE PISTON ROD

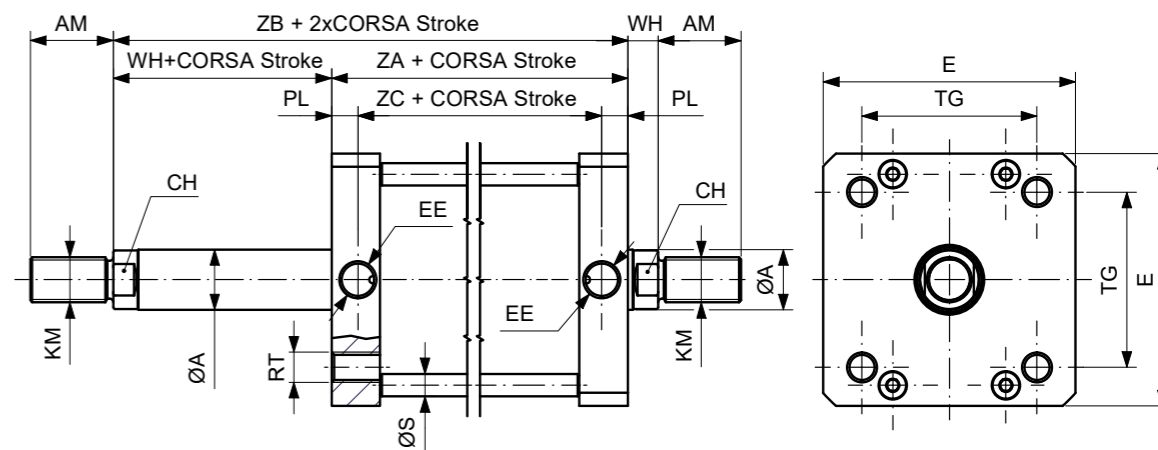
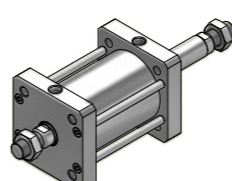
CDEMØ/...KSM



| Ø | ØA | CH | AM | WH | ZA | ZB | ZC | KM | EE | TG | E | RT | PL | ØB | LB | ØS |
|-----|----|----|----|----|----|----|------|----------|--------|------|-----|---------|------|----|-----|----|
| 20 | 10 | 9 | 16 | 6 | 37 | 43 | 23.5 | M8X1.25 | M5X0.8 | 22 | 32 | M5X0.8 | 6.75 | 9 | 2.1 | 6 |
| 25 | 10 | 9 | 16 | 6 | 39 | 45 | 25 | M8X1.25 | M5X0.8 | 26 | 36 | M5X0.8 | 7 | 9 | 2.1 | 6 |
| 32 | 12 | 10 | 19 | 7 | 44 | 51 | 29 | M10X1.25 | 1/8"G | 32.5 | 50 | M6X1 | 7.5 | 9 | 2.1 | 6 |
| 40 | 12 | 10 | 19 | 7 | 45 | 52 | 31 | M10X1.25 | 1/8"G | 38 | 57 | M6X1 | 7 | 9 | 2.1 | 6 |
| 50 | 16 | 13 | 22 | 8 | 45 | 53 | 31 | M12X1.25 | 1/8"G | 46.5 | 67 | M8X1.25 | 7 | 12 | 2.6 | 6 |
| 63 | 16 | 13 | 22 | 8 | 49 | 57 | 34 | M12X1.25 | 1/8"G | 56.5 | 80 | M8X1.25 | 7.5 | 12 | 2.6 | 8 |
| 80 | 20 | 17 | 28 | 10 | 54 | 64 | 38 | M16X1.5 | 1/8"G | 72 | 96 | M10X1.5 | 8 | 12 | 2.6 | 8 |
| 100 | 25 | 21 | 28 | 10 | 67 | 77 | 46 | M16X1.5 | 1/8"G | 89 | 116 | M10X1.5 | 10.5 | 12 | 2.6 | 10 |

DOPPIO EFFETTO MAGNETICO PASSANTE STELO MASCHIO DOUBLE ACTING MAGNETIC THROUGH AND MALE PISTON ROD

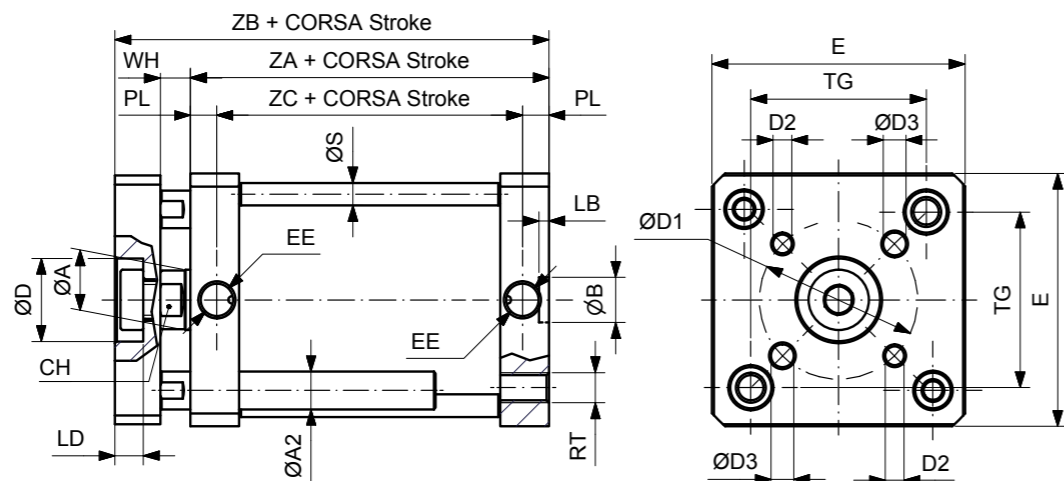
CDEMPØ/...KSM



| Ø | ØA | CH | AM | WH | ZA | ZB | ZC | KM | EE | TG | E | RT | PL | ØS |
|-----|----|----|----|----|----|----|------|----------|--------|------|-----|---------|------|----|
| 20 | 10 | 9 | 16 | 6 | 37 | 43 | 23.5 | M8X1.25 | M5X0.8 | 22 | 32 | M5X0.8 | 6.75 | 6 |
| 25 | 10 | 9 | 16 | 6 | 39 | 45 | 25 | M8X1.25 | M5X0.8 | 26 | 36 | M5X0.8 | 7 | 6 |
| 32 | 12 | 10 | 19 | 7 | 44 | 51 | 29 | M10X1.25 | 1/8"G | 32.5 | 50 | M6X1 | 7.5 | 6 |
| 40 | 12 | 10 | 19 | 7 | 45 | 52 | 31 | M10X1.25 | 1/8"G | 38 | 57 | M6X1 | 7 | 6 |
| 50 | 16 | 13 | 22 | 8 | 45 | 53 | 31 | M12X1.25 | 1/8"G | 46.5 | 67 | M8X1.25 | 7 | 6 |
| 63 | 16 | 13 | 22 | 8 | 49 | 57 | 34 | M12X1.25 | 1/8"G | 56.5 | 80 | M8X1.25 | 7.5 | 8 |
| 80 | 20 | 17 | 28 | 10 | 54 | 64 | 38 | M16X1.5 | 1/8"G | 72 | 96 | M10X1.5 | 8 | 8 |
| 100 | 25 | 21 | 28 | 10 | 67 | 77 | 46 | M16X1.5 | 1/8"G | 89 | 116 | M10X1.5 | 10.5 | 10 |

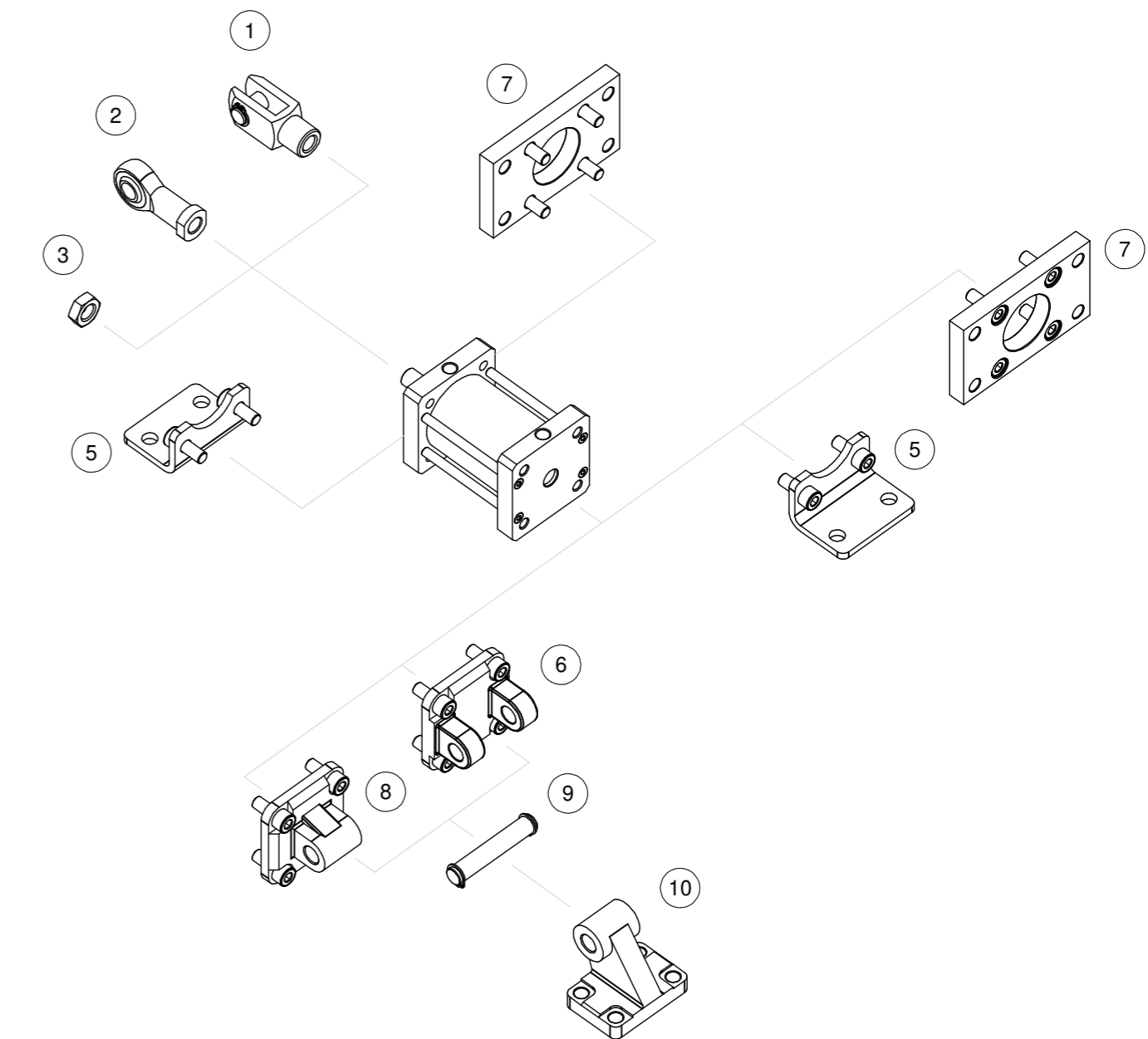
DOPPIO EFFETTO MAGNETICO ANTIROTAZIONE
NON-ROTATING DOUBLE ACTING MAGNETIC

CDEMØ/...KSR



| Ø | ØA | CH | WH | ZA | ZB | ZC | EE | TG | E | RT | PL | ØB | LB | ØS | ØD | LD | ØA2 | ØD1 | D2 | ØD3 |
|-----|----|----|----|----|----|------|--------|------|-----|---------|------|----|-----|----|----|------|-----|-----|---------|-----|
| 20 | 10 | 9 | 6 | 37 | 51 | 23.5 | M5X0.8 | 22 | 32 | M5X0.8 | 6.75 | 9 | 2.1 | 6 | 11 | 5 | 5 | 17 | M4X0.7 | 4 |
| 25 | 10 | 9 | 6 | 39 | 53 | 25 | M5X0.8 | 26 | 36 | M5X0.8 | 7 | 9 | 2.1 | 6 | 14 | 5 | 6 | 22 | M4X0.7 | 4 |
| 32 | 12 | 10 | 7 | 44 | 61 | 29 | 1/8"G | 32.5 | 50 | M6X1 | 7.5 | 9 | 2.1 | 6 | 17 | 6.5 | 6 | 28 | M5X0.8 | 5 |
| 40 | 12 | 10 | 7 | 45 | 62 | 31 | 1/8"G | 38 | 57 | M6X1 | 7 | 9 | 2.1 | 6 | 17 | 6.5 | 8 | 33 | M5X0.8 | 5 |
| 50 | 16 | 13 | 8 | 45 | 65 | 31 | 1/8"G | 46.5 | 67 | M8X1.25 | 7 | 12 | 2.6 | 6 | 22 | 7.5 | 10 | 42 | M6X1 | 6 |
| 63 | 16 | 13 | 8 | 49 | 69 | 34 | 1/8"G | 56.5 | 80 | M8X1.25 | 7.5 | 12 | 2.6 | 8 | 22 | 7.5 | 10 | 50 | M6X1 | 6 |
| 80 | 20 | 17 | 10 | 54 | 78 | 38 | 1/8"G | 72 | 96 | M10X1.5 | 8 | 12 | 2.6 | 8 | 28 | 10.5 | 12 | 65 | M8X1.25 | 8 |
| 100 | 25 | 21 | 10 | 67 | 91 | 46 | 1/8"G | 89 | 116 | M10X1.5 | 10.5 | 12 | 2.6 | 10 | 30 | 10.5 | 12 | 80 | M10X1.5 | 10 |

03-04. ACCESSORI CILINDRI COMPATTI INOX ISO 21287 Ø20-100
ISO 21287 STAINLESS STEEL COMPACT CYLINDERS Ø20-100 ACCESSORIES



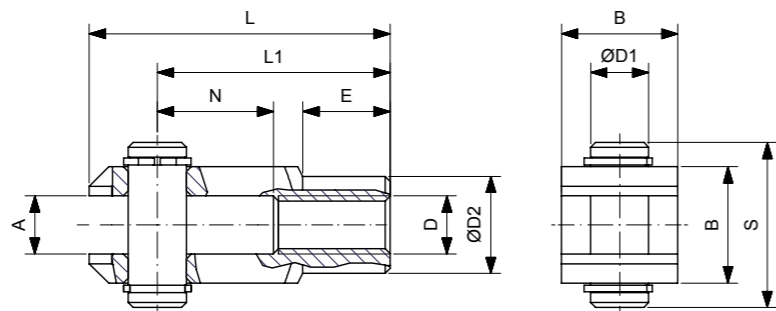
Accessori di fissaggio Mounting accessories

| Descrizione Description | Codice Code |
|---|-------------|
| 1 Forcella Clevis | FORM...I |
| 2 Testa a snodo Rod end | TSNDM...I |
| 3 Dado per stelo Piston rod nut | ANA...I |
| 5 Piedino basso Low-rise pedestal (MS1) | AFD...I |
| 6 Cerniera femmina Female hinge (MP2) | CRF...I |
| 7 Flangia Flange (MF1-MF2) | AFP...I |
| 8 Cerniera maschio Male hinge (MP4) | CRM...I |
| 9 Perno per cerniera femmina Pivot for female hinge (AA4) | PRC...I |
| 10 Articolazione a squadra Square joint (AB7) | ART...I |

1

FORCELLA
CLEVIS

Acciaio Inox AISI 303 • Stainless Steel AISI 303

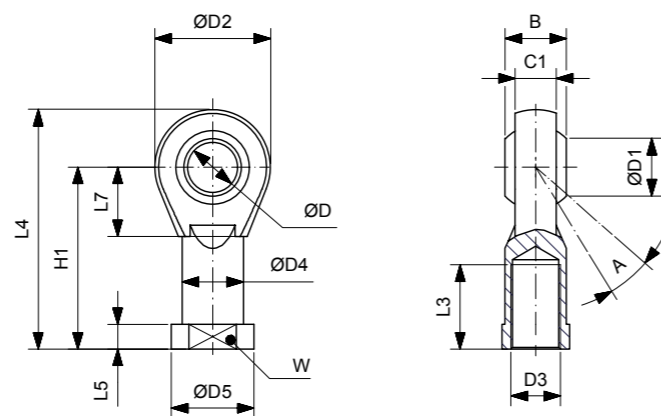


| CODICE/CODE | Ø | D | A | B | ØD1 | S | N | L1 | L | E | ØD2 |
|-------------|--------|----------|----|----|-----|----|----|----|----|----|-----|
| FORM8ISOI | 20-25 | M8 | 8 | 16 | 8 | 21 | 16 | 32 | 42 | 12 | 14 |
| FORM10ISOI | 32-40 | M10X1.25 | 10 | 20 | 10 | 25 | 20 | 40 | 52 | 15 | 18 |
| FORM12ISOI | 50-63 | M12X1.25 | 12 | 24 | 12 | 30 | 24 | 48 | 62 | 18 | 20 |
| FORM16ISOI | 80-100 | M16X1.5 | 16 | 32 | 16 | 39 | 32 | 64 | 83 | 24 | 26 |

2

TESTA A SNODO
ROD END

Acciaio inox e PTFE • Stainless Steel and PTFE

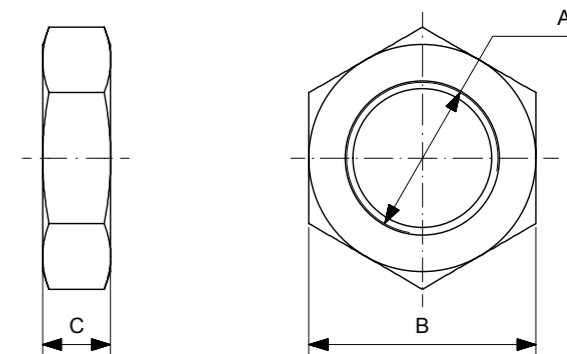
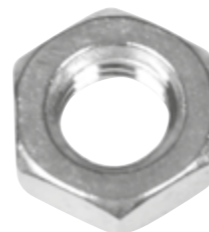


| CODICE/CODE | Ø | D3 | W | L3 | A | ØD | ØD1 | C1 | B | ØD4 | D5 | L5 | L7 | H1 | L4 | ØD2 |
|---------------|--------|----------|----|----|-----|----|------|------|----|------|----|-----|----|----|----|-----|
| TSNDM8X1.25I | 20-25 | M8 | 14 | 16 | 14° | 8 | 10.4 | 9 | 12 | 12.5 | 16 | 5 | 13 | 36 | 48 | 24 |
| TSNDM10X1.25I | 32-40 | M10X1.25 | 17 | 20 | 13° | 10 | 12.9 | 10.5 | 14 | 15 | 19 | 6.5 | 15 | 43 | 57 | 28 |
| TSNDM12X1.25I | 50-63 | M12X1.25 | 19 | 22 | 13° | 12 | 15.4 | 12 | 16 | 17.5 | 22 | 6.5 | 17 | 50 | 66 | 32 |
| TSNDM16X1.5I | 80-100 | M16X1.5 | 22 | 28 | 15° | 16 | 19.3 | 15 | 21 | 22 | 27 | 8 | 23 | 64 | 85 | 42 |

3

DADO PER STELO
PISTON ROD NUT

Acciaio Inox AISI 304 • Stainless Steel AISI 304

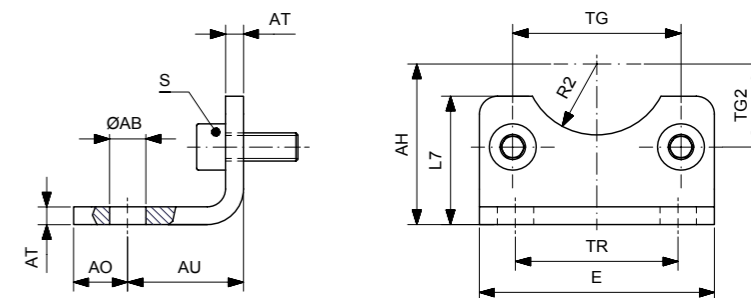


| CODICE/CODE | Ø | A | B | C |
|-------------|--------|----------|----|---|
| ANA20I | 20-25 | M8X1.25 | 13 | 5 |
| ANA25I | 32-40 | M10X1.25 | 17 | 6 |
| ANA40BI | 50-63 | M12X1.25 | 19 | 7 |
| ANA50BI | 80-100 | M16X1.5 | 24 | 8 |

5

PIEDINO BASSO (MS1)
LOW-RISE PEDESTAL (MS1)

Acciaio Inox AISI 304 • Stainless Steel AISI 304



| CODICE/CODE | Ø | TG | TG2 | AH | R2 | ØAB | AO | AU | TR | AT | S | L7 | E |
|-------------|-----|------|-------|----|------|------|----|----|----|----|--------|----|-----|
| AFD32I | 32 | 32.5 | 16.25 | 32 | 15 | 7 | 11 | 24 | 32 | 4 | M6X16 | 30 | 45 |
| AFD40I | 40 | 38 | 19 | 36 | 17.5 | 10 | 8 | 28 | 36 | 4 | M6X16 | 30 | 52 |
| AFD50I | 50 | 46.5 | 23.25 | 45 | 20 | 10 | 15 | 32 | 45 | 5 | M8X20 | 36 | 65 |
| AFD63I | 63 | 56.5 | 28.25 | 50 | 22.5 | 10 | 13 | 32 | 50 | 5 | M8X20 | 35 | 75 |
| AFD80I | 80 | 72 | 36 | 63 | 22.5 | 12 | 14 | 41 | 63 | 6 | M10X20 | 47 | 95 |
| AFD100I | 100 | 89 | 44.5 | 71 | 27.5 | 14.5 | 16 | 41 | 75 | 6 | M10X20 | 53 | 115 |

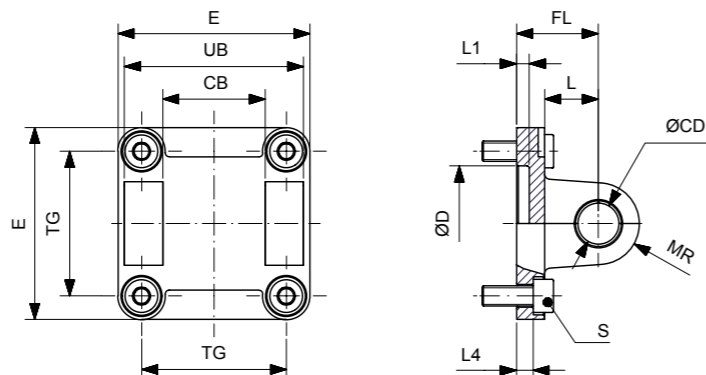
Nota: AISI 316 su richiesta. Note: AISI 316 on request.

| | | | | |
|---|----|---------------------------|----|----------------------|
| Condizioni di fornitura Supply conditions | 00 | Senza viti Without screws | 01 | Con viti With screws |
|---|----|---------------------------|----|----------------------|

6

CERNIERA FEMMINA (MP2)
FEMALE HINGE (MP2)

Acciaio Inox AISI 304 • Stainless Steel AISI 304



| CODICE/CODE | Ø | TG | CB | UB | ØCD | FL | L | ØD | L1 | L4 | S | MR | E |
|-------------|-----|------|----|-----|-----|----|----|----|----|-----|--------|----|-----|
| CRF32I | 32 | 32.5 | 26 | 45 | 10 | 22 | 13 | 30 | 5 | 5.5 | M6X20 | 10 | 45 |
| CRF40I | 40 | 38 | 28 | 52 | 12 | 25 | 16 | 35 | 5 | 5.5 | M6X20 | 12 | 52 |
| CRF50I | 50 | 46.5 | 32 | 60 | 12 | 27 | 16 | 40 | 5 | 6.5 | M8X20 | 12 | 65 |
| CRF63I | 63 | 56.5 | 40 | 70 | 16 | 32 | 21 | 45 | 5 | 6.5 | M8X20 | 16 | 75 |
| CRF80I | 80 | 72 | 50 | 90 | 16 | 36 | 22 | 45 | 5 | 10 | M10X25 | 16 | 95 |
| CRF100I | 100 | 89 | 60 | 110 | 20 | 41 | 27 | 55 | 5 | 10 | M10X25 | 20 | 115 |

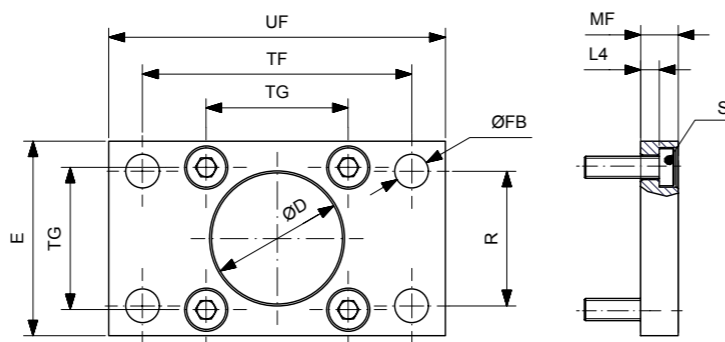
Nota: AISI 316 su richiesta. Note: AISI 316 on request.

| | | | | | | |
|---|----|---------------------------|----|----------------------|----|--------------------------------------|
| Condizioni di fornitura Supply conditions | 00 | Senza viti Without screws | 01 | Con viti With screws | 02 | Con perno e viti With pin and screws |
|---|----|---------------------------|----|----------------------|----|--------------------------------------|

7

FLANGIA (MF1-MF2)
FLANGE (MF1-MF2)

Acciaio Inox AISI 304 • Stainless Steel AISI 304



| CODICE/CODE | Ø | TG | ØD | ØFB | R | TF | L4 | S | UF | E | MF |
|-------------|-----|------|----|-----|----|-----|-----|--------|-----|-----|----|
| AFP32I | 32 | 32.5 | 30 | 7 | 32 | 64 | 5 | M6X20 | 80 | 45 | 10 |
| AFP40I | 40 | 38 | 35 | 9 | 36 | 72 | 5 | M6X20 | 90 | 52 | 10 |
| AFP50I | 50 | 46.5 | 40 | 9 | 45 | 90 | 6.5 | M8X20 | 110 | 65 | 12 |
| AFP63I | 63 | 56.5 | 45 | 9 | 50 | 100 | 6.5 | M8X20 | 120 | 75 | 12 |
| AFP80I | 80 | 72 | 45 | 12 | 63 | 126 | 9 | M10X25 | 150 | 95 | 16 |
| AFP100I | 100 | 89 | 55 | 14 | 75 | 150 | 9 | M10X25 | 170 | 115 | 16 |

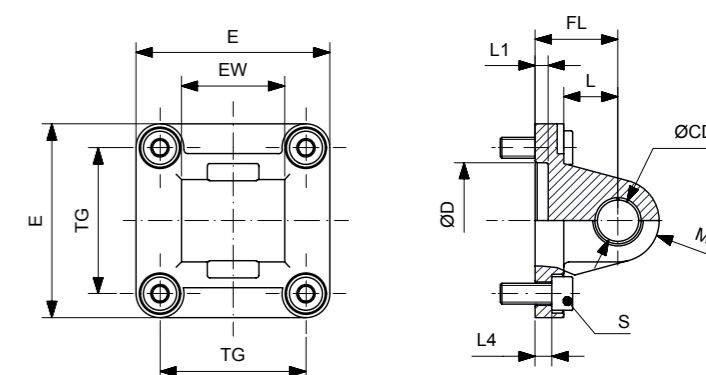
Nota: AISI 316 su richiesta. Note: AISI 316 on request.

| | | | | |
|---|----|---------------------------|----|----------------------|
| Condizioni di fornitura Supply conditions | 00 | Senza viti Without screws | 01 | Con viti With screws |
|---|----|---------------------------|----|----------------------|

8

CERNIERA MASCHIO (MP4)
MALE HINGE (MP4)

Acciaio Inox AISI 304 • Stainless Steel AISI 304



| CODICE/CODE | Ø | TG | EW | ØCD | FL | L | ØD | L1 | L4 | S | MR | E |
|-------------|-----|------|----|-----|----|----|----|----|-----|--------|----|-----|
| CRM32I | 32 | 32.5 | 26 | 10 | 22 | 13 | 30 | 5 | 5.5 | M6X20 | 10 | 45 |
| CRM40I | 40 | 38 | 28 | 12 | 25 | 16 | 35 | 5 | 5.5 | M6X20 | 12 | 52 |
| CRM50I | 50 | 46.5 | 32 | 12 | 27 | 16 | 40 | 5 | 6.5 | M8X20 | 12 | 65 |
| CRM63I | 63 | 56.5 | 40 | 16 | 32 | 21 | 45 | 5 | 6.5 | M8X20 | 16 | 75 |
| CRM80I | 80 | 72 | 50 | 16 | 36 | 22 | 45 | 5 | 10 | M10X25 | 16 | 95 |
| CRM100I | 100 | 89 | 60 | 20 | 41 | 27 | 55 | 5 | 10 | M10X25 | 20 | 115 |

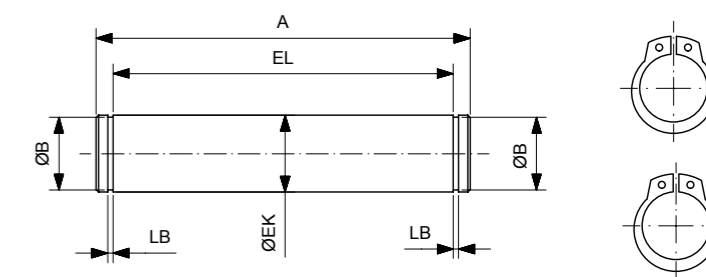
Nota: AISI 316 su richiesta. Note: AISI 316 on request.

| | | | | |
|---|----|---------------------------|----|----------------------|
| Condizioni di fornitura Supply conditions | 00 | Senza viti Without screws | 01 | Con viti With screws |
|---|----|---------------------------|----|----------------------|

9

PERNO PER CERNIERA FEMMINA (AA4)
PIVOT FOR FEMALE HINGE (AA4)

Acciaio Inox AISI 304 • Stainless Steel AISI 304



| CODICE/CODE | Ø | ØEK | EL | ØB | LB | A |
|-------------|-----|-----|-----|------|-----|-----|
| PRC32I | 32 | 10 | 46 | 9.6 | 1.1 | 53 |
| PRC40I | 40 | 12 | 53 | 11.5 | 1.1 | 60 |
| PRC50I | 50 | 12 | 61 | 11.5 | 1.1 | 68 |
| PRC63I | 63 | 16 | 71 | 15.2 | 1.1 | 78 |
| PRC80I | 80 | 16 | 91 | 15.2 | 1.1 | 98 |
| PRC100I | 100 | 20 | 111 | 19 | 1.3 | 118 |

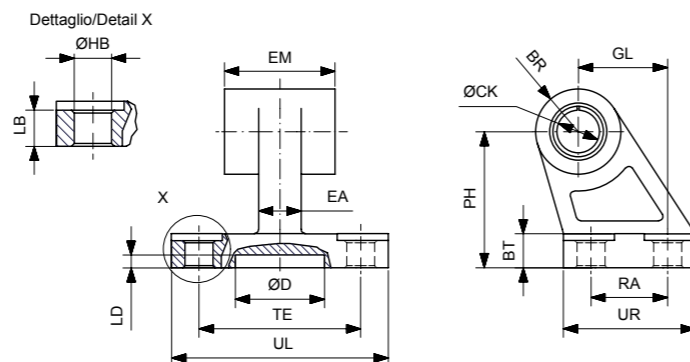
Nota: AISI 316 su richiesta. Note: AISI 316 on request.

10

ARTICOLAZIONE A SQUADRA (AB7)

SQUARE JOINT (AB7)

Acciaio Inox AISI 304 • Stainless Steel AISI 304



| CODICE/CODE | Ø | ØCK | EM | BR | PH | GL | ØHB | LB | BT | TE | RA | ØD | LD | UL | UR | EA |
|----------------|-----|-----|----|----|----|----|-----|------|----|----|----|----|----|----|----|----|
| ART32I | 32 | 10 | 26 | 10 | 32 | 21 | 6.6 | 6.4 | 8 | 38 | 18 | 21 | 3 | 51 | 31 | 10 |
| ART40I | 40 | 12 | 28 | 11 | 36 | 24 | 6.6 | 8.4 | 10 | 41 | 22 | 21 | 3 | 54 | 35 | 12 |
| ART50I | 50 | 12 | 32 | 13 | 45 | 33 | 9 | 10.4 | 12 | 50 | 30 | 21 | 3 | 65 | 45 | 16 |
| ART63I | 63 | 16 | 40 | 15 | 50 | 37 | 9 | 10.4 | 12 | 52 | 35 | 21 | 3 | 67 | 50 | 16 |
| ART80I | 80 | 16 | 50 | 15 | 63 | 47 | 11 | 11.5 | 14 | 66 | 40 | 21 | 3 | 86 | 60 | 20 |
| ART100I | 100 | 20 | 60 | 19 | 71 | 55 | 11 | 14.5 | 15 | 76 | 50 | 11 | 3 | 96 | 70 | 20 |

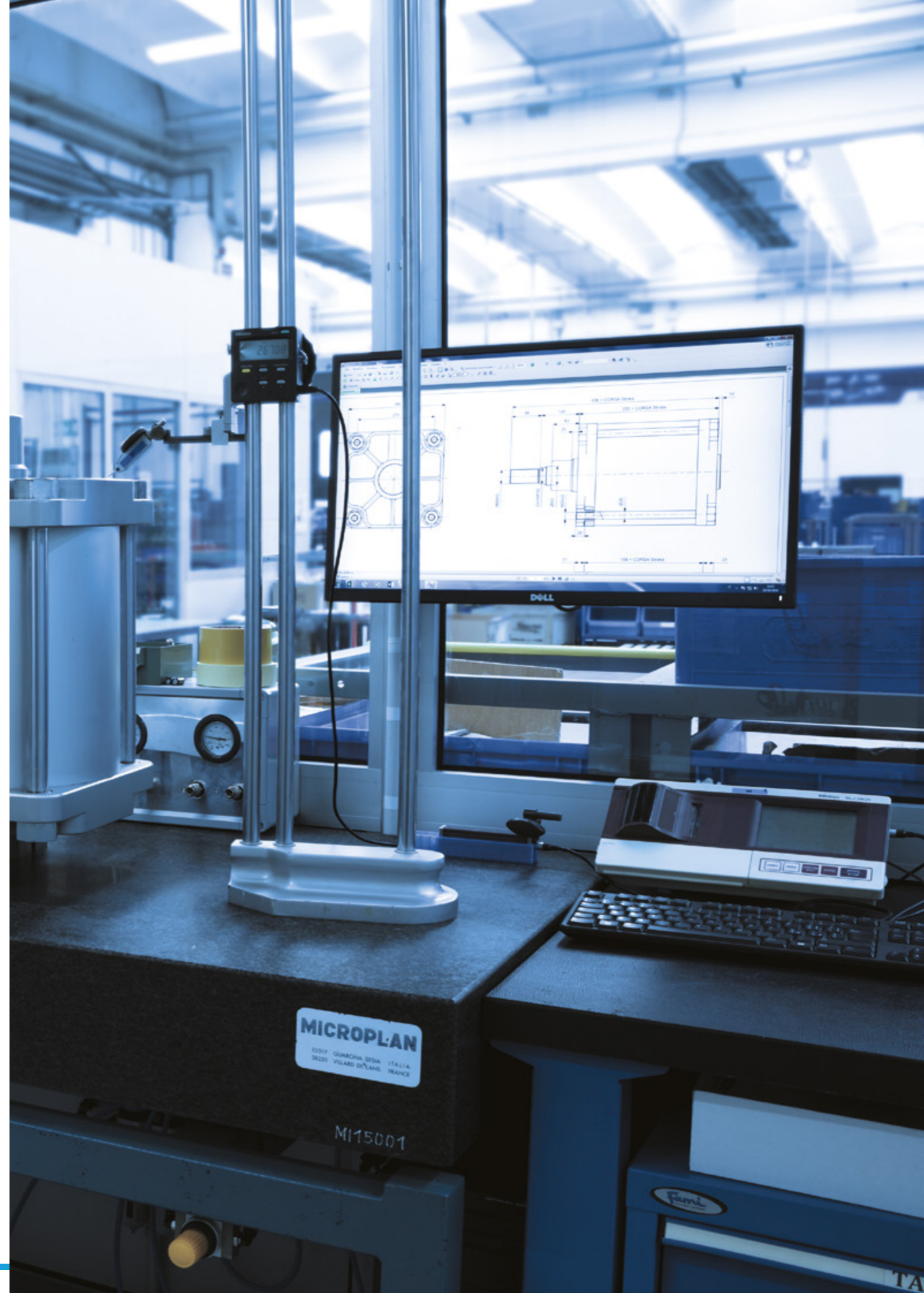
Nota: AISI 316 su richiesta. Note: AISI 316 on request.

Come ordinare How to order

| Codice Code | Condizioni di fornitura Supply condition | Confezionamento Packaging |
|-------------|--|---|
| | <p>NOTA: FARE RIFERIMENTO ALLE CONDIZIONI SPECIFICATE PER I SINGOLI ACCESSORI. SE NON INDICATE, UTILIZZARE '00' PER CONDIZIONI STANDARD.</p> <p>NOTE: REFER TO THE SPECIFIED CONDITIONS FOR EVERY ACCESSORY. IF NOT INDICATED, USE '00' FOR STANDARD CONDITIONS.</p> | <p>S = CONFEZIONE SINGOLA / SINGLE PACKAGING</p> <p>M = CONFEZIONE UNIFICATA PER COMPONENTE / UNIFIED BY COMPONENTS PACKAGING</p> |

Esempio Example (ART40I 00 S)

| | | |
|---------------|-----------|----------|
| ART40I | 00 | S |
|---------------|-----------|----------|



MICROPLAN
 23017 GUARONIA VERDE - ITALIA
 38200 VILLARD D'ORANGE - FRANCE

MI15001