



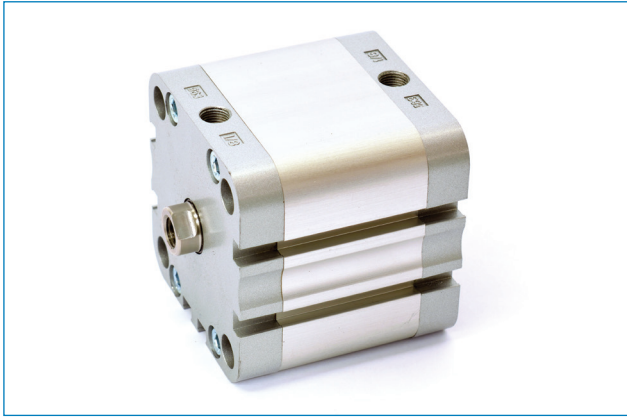
IT/DE

SERIE
C1K

**Cilindri compatti ISO21287
Kompaktzylinder ISO21287**

**Cilindri compatti ISO21287
Kompaktzylinder ISO21287**

Cilindri a norma
Normzylinder



Materiali - Materialien	
Testate.....	Alluminio pressofuso verniciato
Zylinderköpfe.....	Aluminium Druckguss lackiert
Tube.....	Alluminio anodizzato
Zylinderrohr.....	Aluminium eloxiert
Pistone.....	ø20-25 POM-C/alluminio - ø32-100 alluminio
Kolben.....	ø20-25 POM-C/Aluminium - ø32-100 Aluminium
Guarnizioni.....	NBR/PU
Dichtungen.....	
Boccola guida.....	Acciaio + PTFE
Führungsbuchse.....	Stahl + PTFE
Stelo.....	Acciaio inox AISI303
Kolbenstange.....	Edelstahl AISI303

Caratteristiche tecniche - Technische Eigenschaften	
Fluido.....	Aria compressa filtrata lubrificata e non
Medium.....	gefilterte, geschmierte oder nicht geschmierte Druckluft
Temperatura di impiego.....	-20°C +80°C con aria secca
Umgebungstemperatur.....	-20°C +80°C bei trockener Luft
Pressione Max.....	max 10 bar
Arbeitsdruck.....	

**Chiavi di codifica
Codierungsschlüssel**

C 1 K 0 3 2 F 0 1 2 5 D S T

Versione Version	Diametro Durch-messer	Tipo costruttivo Designtyp	Corsa Hub	Versione Version	Varianti Ausführungen
C1K Cilindro ISO21287 Zylinder ISO21287	020	M Stelo maschio	0-500 mm	A Semplice effetto einfach wirkend	ST Standard
	025	Aussen-gewinde		B Semplice effetto magnetico einfach wirkend, magnetisch	VG Guarnizione stelo FKM Kolbenstangen-dichtung FKM
032	F Stelo femmina	C Doppio effetto doppelt wirkend		VT Guarnizioni FKM Dichtungen FKM	
040	Innen-gewinde	D Doppio effetto magnetico doppelt wirkend, magnetisch		EX ATEX	
050	E Antirrotazione Verdrehsicherung Außengewinde Innengewinde	G Semplice effetto molla posteriore Einfachwirkende hintere Feder			
063		H Semplice effetto molla posteriore magnetico Einfachwirkende hintere Feder, magnetisch			
080	N Antirrotazione maschio Verdrehsicherung Außengewinde Innengewinde Aussen-gewinde	L Doppio effetto passante doppelt wirkend, durchgehende Kolbenstange			
100		M Doppio effetto passante magnetico doppelt wirkend, durchgehende Kolbenstange, magnetisch			
		G Antirrotazione femmina Verdrehsicherung Außengewinde Innengewinde Innen-gewinde			

**Corse standard
Standardhübe**

ø	5	10	15	20	25	30	40	50	60	70	80	90	100	125	160	200	250	300	320	350	400	450	500
20	■●	■●	■●	■●	■●	■●	■●	■●	●	●	●	●	●	●	●	●	●						
25	■●	■●	■●	■●	■●	■●	■●	■●	●	●	●	●	●	●	●	●	●	●					
32	■●	■●	■●	■●	■●	■●	■●	■●	●	●	●	●	●	●	●	●	●	●					
40	■●	■●	■●	■●	■●	■●	■●	■●	●	●	●	●	●	●	●	●	●	●	●				
50	■●	■●	■●	■●	■●	■●	■●	■●	●	●	●	●	●	●	●	●	●	●	●				
63	■●	■●	■●	■●	■●	■●	■●	■●	●	●	●	●	●	●	●	●	●	●	●	●	●	●	●
80	■●	■●	■●	■●	■●	■●	■●	■●	●	●	●	●	●	●	●	●	●	●	●	●	●	●	●
100	■●	■●	■●	■●	■●	■●	■●	■●	●	●	●	●	●	●	●	●	●	●	●	●	●	●	●

- = Cilindri semplice effetto - Einfach wirkende Zylinder
- = Cilindri doppio effetto - Doppelt wirkende Zylinder

Cilindri compatti ISO21287 - Kompaktzylinder ISO21287

Forze teoriche a 6 bar Theoretische Kräfte bei 6 bar

∅	Forza di spinta (N) Schubkraft (N)	Forza di trazione (N) Zugkraft (N)
20	188	141
25	294	247
32	482	414
40	754	633
50	1178	989
63	1869	1681
80	3014	2720
100	4710	4416

Forze teoriche delle molle Theoretische Kräfte der Federn

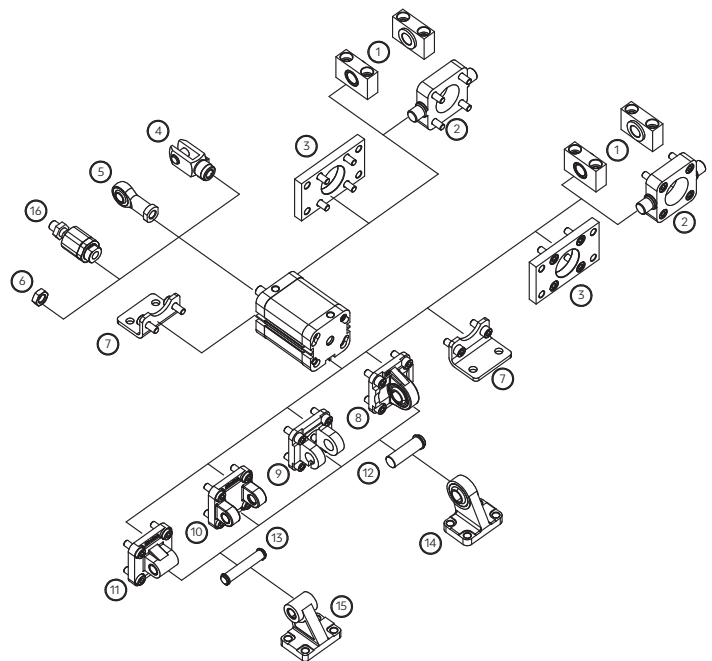
∅	Corsa Hub 5		Corsa Hub 10		Corsa Hub 15		Corsa Hub 20		Corsa Hub 25	
	F1 (N)	F2 (N)	F1 (N)	F2 (N)	F1 (N)	F2 (N)	F1 (N)	F2 (N)	F1 (N)	F2 (N)
20	22	25	20	25	17	25	14	25	11	25
25	30	33	26	33	23	33	20	33	16	33
32	50	54	46	54	42	54	38	54	34	54
40	52	55	50	55	46	55	43	55	40	55
50	59	63	54	63	49	63	44	63	39	63
63	72	78	67	78	62	78	56	78	51	78
80	110	116	105	116	100	116	95	116	89	116
100	152	159	144	159	136	159	129	159	121	159

Accessori di fissaggio Montagezubehör

∅	Accessori in acciaio Zubehör aus Stahl							
	①	②	③	④	⑤	⑥	⑦	⑧
	Supporto per cerniera intermedia Lagerbock für Schwenkzapfenbefestigung	Cerniera anteriore/posteriore Schwenkzapfenbefestigung vorn/hinten MT5/MT6	Flangia Flansch-befestigung MF1/MF2	Forcella Gabelkopf	Testa a snodo Gelenkkopf	Dado Mutter	Piedino basso Fussbefestigung MS1	Cerniera maschio snodata Schwenklager sphärisch MP6
20	//	//	//	FORM8ISO	TSNDM8X1.25	ANA20	//	//
25	//	//	//	FORM8ISO	TSNDM8X1.25	ANA20	//	//
32	SUP32S	CRB32S	AFP32S	FORM10ISO	TSNDM10X1.25	ANA25	AFD32S	CMT32S
40	SUP4050S	CRB40S	AFP40S	FORM10ISO	TSNDM10X1.25	ANA25	AFD40S	CMT40S
50	SUP4050S	CRB50S	AFP50S	FORM12ISO	TSNDM12X1.25	ANA40B	AFD50S	CMT50S
63	SUP6380S	CRB63S	AFP63S	FORM12ISO	TSNDM12X1.25	ANA40B	AFD63S	CMT63S
80	SUP6380S	CRB80S	AFP80S	FORM16ISO	TSNDM16X1.5	ANA50B	AFD80S	CMT80S
100	SUP100125S	CRB100S	AFP100S	FORM16ISO	TSNDM16X1.5	ANA50B	AFD100S	AFD100S

∅	⑨	⑩	⑪	⑫	⑬	⑭	⑮	⑯
	Cerniera femmina stretta Gabelbefestigung AB6	Cerniera femmina Gabelbefestigung MP2	Cerniera maschio Lasche MP4	Perno per cerniera snodata Stift für Scharnier AA6	Perno per cerniera femmina Stift für Scharnier AA4	Articolazione a squadra con testa snodata DIN 648K Lagerbock sphärisch DIN 648K	Articolazione a squadra Lagerbock AB7	Giunto autoallineante Ausgleichs-kupplung
20	//	//	//	//	//	//	//	GASM8X1.25
25	//	//	//	//	//	//	//	GASM8X1.25
32	CFS32S	CRF32S	CRM32S	PRS32S	PRC32S	ARS32S	ART32S	GASM10X1.25
40	CFS40S	CRF40S	CRM40S	PRS40S	PRC40S	ARS40S	ART40S	GASM10X1.25
50	CFS50S	CRF50S	CRM50S	PRS50S	PRC50S	ARS50S	ART50S	GASM12X1.25
63	CFS63S	CRF63S	CRM63S	PRS63S	PRC63S	ARS63S	ART63S	GASM12X1.25
80	CFS80S	CRF80S	CRM80S	PRS80S	PRC80S	ARS80S	ART80S	GASM16X1.5
100	CFS100S	CRF100S	CRM100S	PRS100S	PRC100S	ARS100S	ART100S	GASM16X1.5

∅	Accessori in alluminio Zubehör aus Aluminium				
	⑧	⑨	⑩	⑪	⑮
	Cerniera maschio snodata Schwenklager sphärisch MP6	Cerniera stretta per snodo sferico Gabelbefestigung AB6	Cerniera femmina Gabelbefestigung MP2	Cerniera maschio Lasche MP4	Articolazione a squadra Lagerbock AB7
20	//	//	//	CRM20A	//
25	//	//	//	CRM25A	//
32	CMT32A	CFS32A	CRF32A	CRM32A	ART32A
40	CMT40A	CFS40A	CRF40A	CRM40A	ART40A
50	CMT50A	CFS50A	CRF50A	CRM50A	ART50A
63	CMT63A	CFS63A	CRF63A	CRM63A	ART63A
80	CMT80A	CFS80A	CRF80A	CRM80A	ART80A
100	CMT100A	CFS100A	CRF100A	CRM100A	ART100A



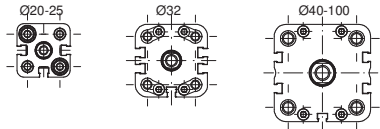
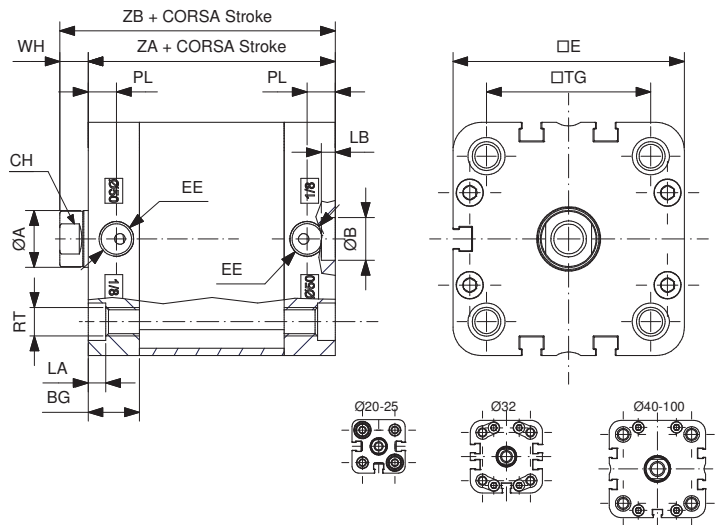
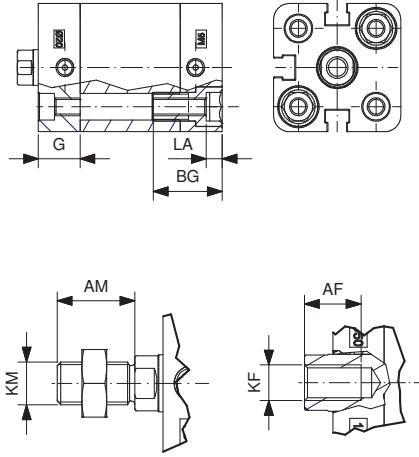
Semplice effetto
Einfach wirkend



ø20-25

C1KøM...AST - C1KøF...AST
C1KøM...BST - C1KøF...BST

ø32-100



ø	E	TG	øA	CH	KM	AM	KF	AF	EE	RT	LA	BG	PL	øB	LB	WH	ZA	ZB	G
20	36	22	10	9	M8X1.25	16	M6	10	M5	M5	4.5	19.5	7.5	9	3	6	37	43	11.8
25	40	26	10	9	M8X1.25	16	M6	10	M5	M5	4.5	19.5	7.5	9	3	6	39	45	12.8
32	49	32.5	12	10	M10X1.25	19	M8	12	1/8"G	M6	4.5	14	7.5	9	3	7	44	51	-
40	54.5	38	12	10	M10X1.25	19	M8	12	1/8"G	M6	5	14.5	8	9	3	7	45	52	-
50	65.5	46.5	16	13	M12X1.25	22	M10X1.5	16	1/8"G	M8X1.25	5	14.5	8	12	4	8	45	53	-
63	77	56.5	16	13	M12X1.25	22	M10X1.5	16	1/8"G	M8X1.25	5	13.8	7.5	12	4	8	49	57	-
80	95.5	72	20	17	M16X1.5	28	M12X1.75	20	1/8"G	M10X1.5	3	15	8	12	4	10	54	64	-
100	113.5	89	25	21	M16X1.5	28	M12X1.75	20	1/8"G	M10X1.5	3	19.5	10.5	12	4	10	67	77	-

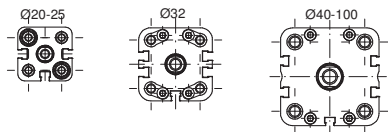
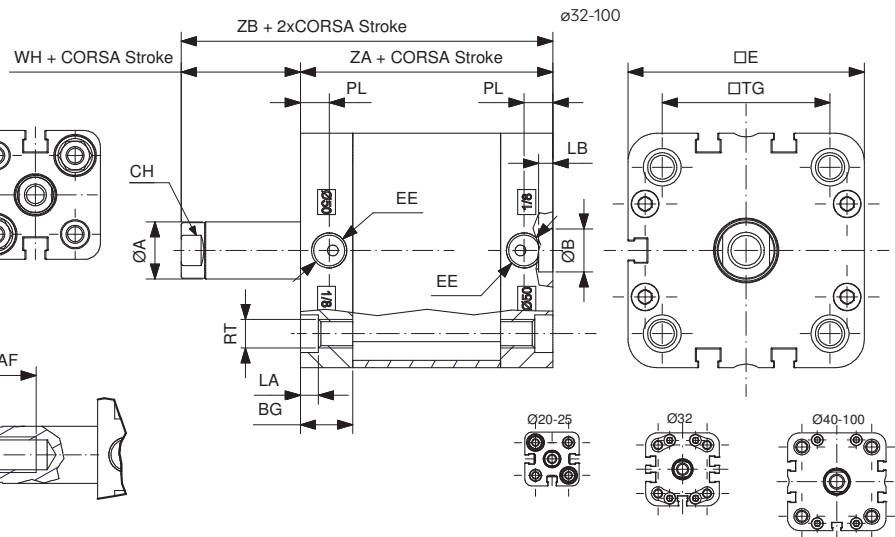
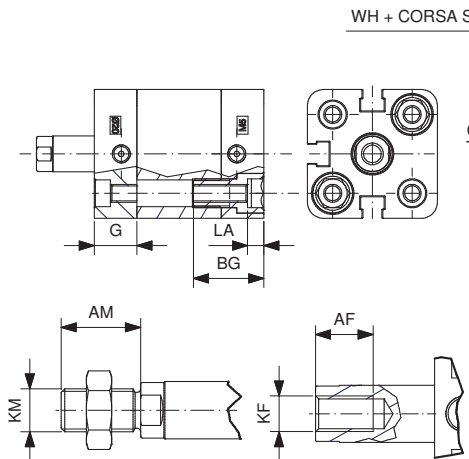
Semplice effetto molla posteriore
Einfachwirkende hintere Feder



ø20-25

C1KøM...GST - C1KøF...GST
C1KøM...HST - C1KøF...HST

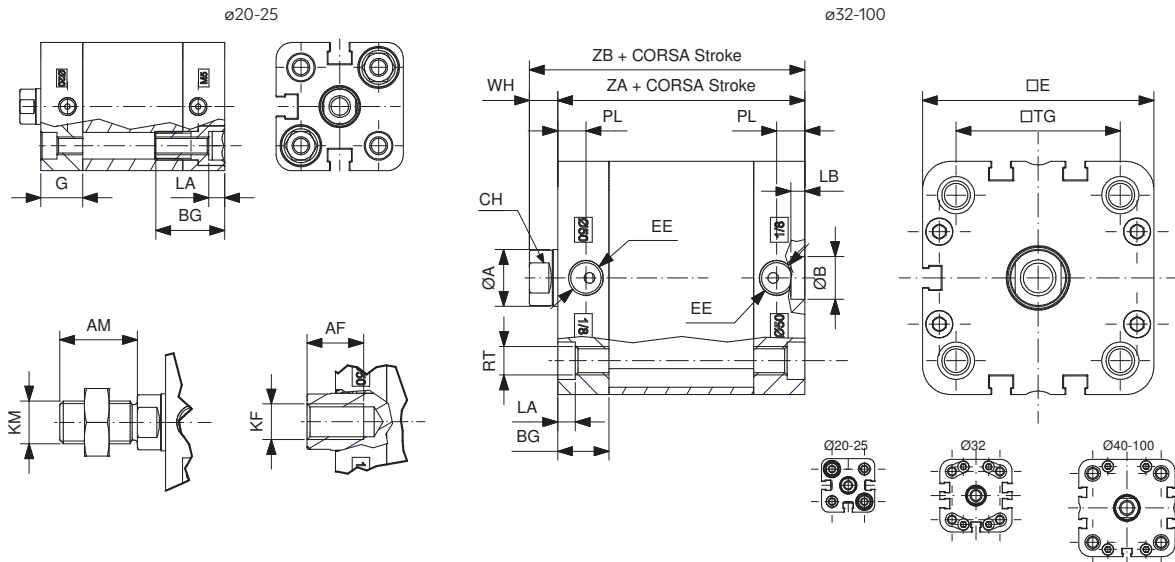
ø32-100



ø	E	TG	øA	CH	KM	AM	KF	AF	EE	RT	LA	BG	PL	øB	LB	WH	ZA	ZB	G
20	36	22	10	9	M8X1.25	16	M6	10	M5	M5	4.5	19.5	7.5	9	3	6	37	43	11.8
25	40	26	10	9	M8X1.25	16	M6	10	M5	M5	4.5	19.5	7.5	9	3	6	39	45	12.8
32	49	32.5	12	10	M10X1.25	19	M8	12	1/8"G	M6	4.5	14	7.5	9	3	7	44	51	-
40	54.5	38	12	10	M10X1.25	19	M8	12	1/8"G	M6	5	14.5	8	9	3	7	45	52	-
50	65.5	46.5	16	13	M12X1.25	22	M10X1.5	16	1/8"G	M8X1.25	5	14.5	8	12	4	8	45	53	-
63	77	56.5	16	13	M12X1.25	22	M10X1.5	16	1/8"G	M8X1.25	5	13.8	7.5	12	4	8	49	57	-
80	95.5	72	20	17	M16X1.5	28	M12X1.75	20	1/8"G	M10X1.5	3	15	8	12	4	10	54	64	-
100	113.5	89	25	21	M16X1.5	28	M12X1.75	20	1/8"G	M10X1.5	3	19.5	10.5	12	4	10	67	77	-

Doppio effetto
Doppelt wirkend

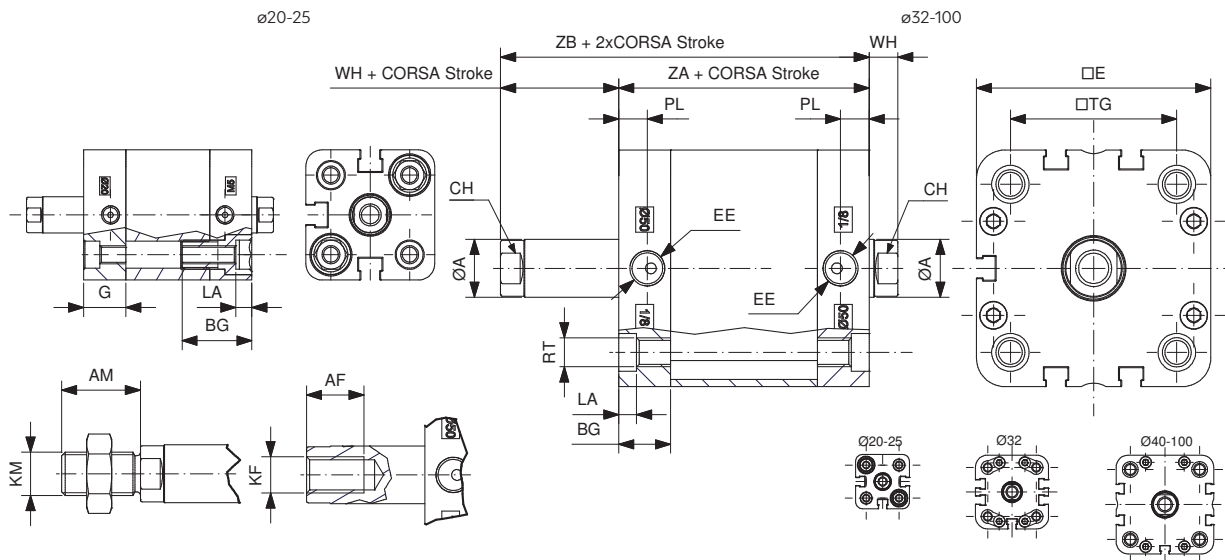
C1KøM...CST - C1KøF...CST
C1KøM...DST - C1KøF...DST



ø	E	TG	øA	CH	KM	AM	KF	AF	EE	RT	LA	BG	PL	øB	LB	WH	ZA	ZB	G
20	36	22	10	9	M8X1.25	16	M6	10	M5	M5	4.5	19.5	7.5	9	3	6	37	43	11.8
25	40	26	10	9	M8X1.25	16	M6	10	M5	M5	4.5	19.5	7.5	9	3	6	39	45	12.8
32	49	32.5	12	10	M10X1.25	19	M8	12	1/8"G	M6	4.5	14	7.5	9	3	7	44	51	-
40	54.5	38	12	10	M10X1.25	19	M8	12	1/8"G	M6	5	14.5	8	9	3	7	45	52	-
50	65.5	46.5	16	13	M12X1.25	22	M10X1.5	16	1/8"G	M8X1.25	5	14.5	8	12	4	8	45	53	-
63	77	56.5	16	13	M12X1.25	22	M10X1.5	16	1/8"G	M8X1.25	5	13.8	7.5	12	4	8	49	57	-
80	95.5	72	20	17	M16X1.5	28	M12X1.75	20	1/8"G	M10X1.5	3	15	8	12	4	10	54	64	-
100	113.5	89	25	21	M16X1.5	28	M12X1.75	20	1/8"G	M10X1.5	3	19.5	10.5	12	4	10	67	77	-

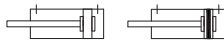
Doppio effetto passante
Doppelt wirkend, durchgehende Kolbenstange

C1KøM...LST - C1KøF...LST
C1KøM...MST - C1KøF...MST

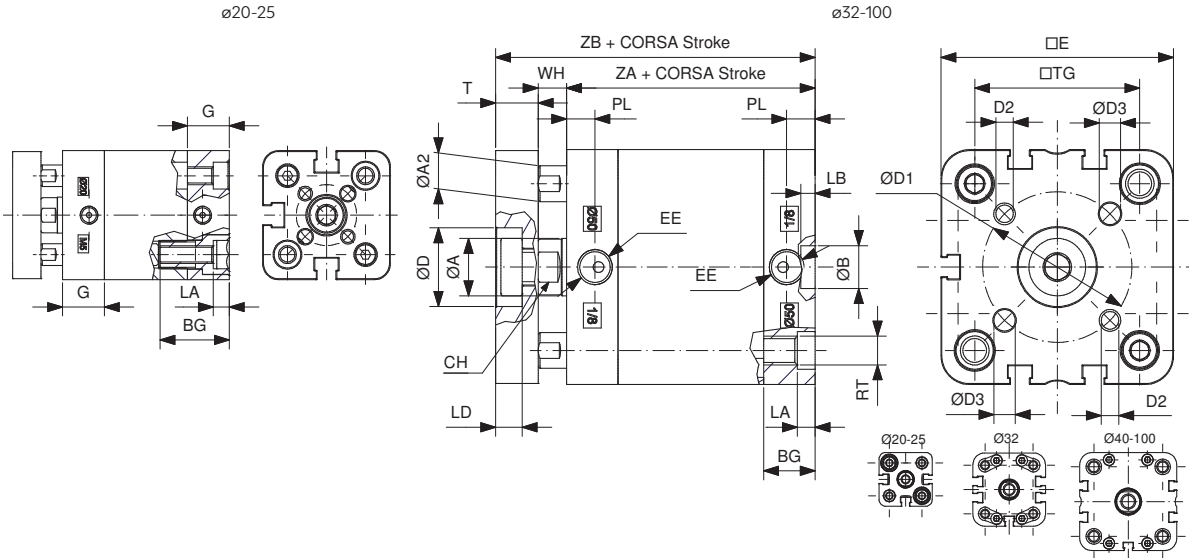


ø	E	TG	øA	CH	KM	AM	KF	AF	EE	RT	LA	BG	PL	øB	LB	WH	ZA	ZB	G
20	36	22	10	9	M8X1.25	16	M6	10	M5	M5	4.5	19.5	7.5	9	3	6	37	43	11.8
25	40	26	10	9	M8X1.25	16	M6	10	M5	M5	4.5	19.5	7.5	9	3	6	39	45	12.8
32	49	32.5	12	10	M10X1.25	19	M8	12	1/8"G	M6	4.5	14	7.5	9	3	7	44	51	-
40	54.5	38	12	10	M10X1.25	19	M8	12	1/8"G	M6	5	14.5	8	9	3	7	45	52	-
50	65.5	46.5	16	13	M12X1.25	22	M10X1.5	16	1/8"G	M8X1.25	5	14.5	8	12	4	8	45	53	-
63	77	56.5	16	13	M12X1.25	22	M10X1.5	16	1/8"G	M8X1.25	5	13.8	7.5	12	4	8	49	57	-
80	95.5	72	20	17	M16X1.5	28	M12X1.75	20	1/8"G	M10X1.5	3	15	8	12	4	10	54	64	-
100	113.5	89	25	21	M16X1.5	28	M12X1.75	20	1/8"G	M10X1.5	3	19.5	10.5	12	4	10	67	77	-

Antirotazione
Verdrehsicherung

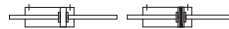


C1KøE...CST - C1KøE...DST

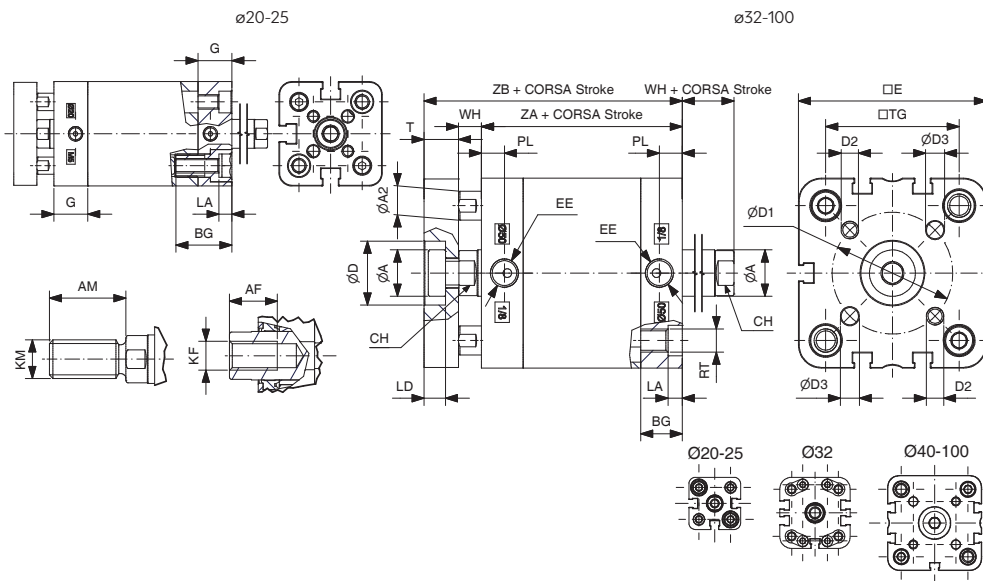


ø	E	TG	ØA	CH	ØD	LD	ØA2	T	EE	RT	LA	BG	PL	WH	ØD1	ØD2	ØD3	ZA	ZB	G
20	36	22	10	9	11	5	6	8	M5	M5	4.5	19.5	7.5	6	17	M4	4	37	43	11.8
25	40	26	10	9	14	5	6	8	M5	M5	4.5	19.5	7.5	6	22	M5	5	39	45	12.8
32	49	32.5	12	10	17	6.5	6	10	1/8"G	M6	4.5	14	7.5	7	28	M5	5	44	51	-
40	54.5	38	12	10	17	6.5	8	10	1/8"G	M6	5	14.5	8	7	33	M5	5	45	52	-
50	65.5	46.5	16	13	22	7.5	10	12	1/8"G	M8	5	14.5	8	8	42	M6	6	45	53	-
63	77	56.5	16	13	22	7.5	10	12	1/8"G	M8	5	13.8	7.5	8	50	M6	6	49	57	-
80	95.5	72	20	17	28	9	14	14	1/8"G	M10X1.5	3	15	8	10	65	M8	8	54	64	-
100	113.5	89	25	21	30	10	14	14	1/8"G	M10X1.5	3	19.5	10.5	10	80	M10X1.5	10	67	77	-

Antirotazione passante
Verdrehsicherung, durchgehende Kolbenstange



C1KøN...CST - C1KøG...CST
C1KøN...DST - C1KøG...DST



ø	E	TG	ØA	CH	ØD	LD	KM	AM	KF	AF	ØA2	T	EE	RT	LA	BG	PL	WH	ØD1	ØD2	ØD3	ZA	ZB	G
20	36	22	10	9	11	5	M8X1.25	16	M6	10	6	8	M5	M5	4.5	19.5	7.5	6	17	M4	4	37	43	11.8
25	40	26	10	9	14	5	M8X1.25	16	M6	10	6	8	M5	M5	4.5	19.5	7.5	6	22	M5	5	39	45	12.8
32	49	32.5	12	10	17	6.5	M10X1.25	19	M8	12	6	10	1/8"G	M6	4.5	14	7.5	7	28	M5	5	44	51	-
40	54.5	38	12	10	17	6.5	M10X1.25	19	M8	12	8	10	1/8"G	M6	5	14.5	8	7	33	M5	5	45	52	-
50	65.5	46.5	16	13	22	7.5	M12X1.25	22	M10X1.5	16	10	12	1/8"G	M8	5	14.5	8	8	42	M6	6	45	53	-
63	77	56.5	16	13	22	7.5	M12X1.25	22	M10X1.5	16	10	12	1/8"G	M8	5	13.8	7.5	8	50	M6	6	49	57	-
80	95.5	72	20	17	28	9	M16X1.5	28	M12X1.75	20	14	14	1/8"G	M10X1.5	3	15	8	10	65	M8	8	54	64	-
100	113.5	89	25	21	30	10	M16X1.5	28	M12X1.75	20	14	14	1/8"G	M10X1.5	3	19.5	10.5	10	80	M10X1.5	10	67	77	-

Kit guarnizioni Dichtungssatz

Esempio di codifica
Codierungsbeispiel

S 1 K 0 3 2 C V T

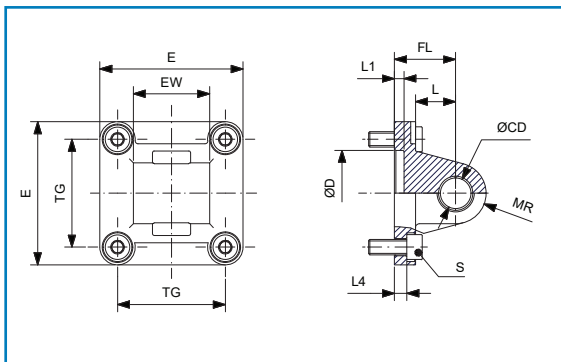
composto da / bestehend aus:

- 1 x guarnizione stelo - Kolbenstangendichtung
- 2 x o-ring tubo - O-Ringe Zylinderrohr
- 2 x guarnizioni pistone - Kolbendichtungen

Versione Version	Diametro Durch-messer	Versione Version	Varianti Ausführungen
S1K Cilindro ISO21287 Zylinder ISO21287	∅	C Doppio effetto Doppelt wirkend	ST Standard
		L Doppio effetto passante doppelt wirkend, durchgehende Kolbenstange	VG Guarnizione stelo FKM Kolbenstangendichtung FKM
			VT Guarnizioni FKM Dichtungen FKM

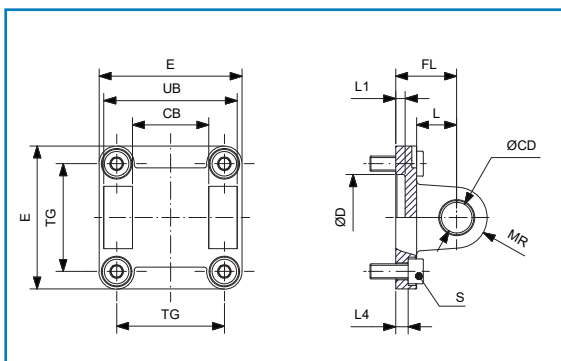
Versione "C" adatta per semplice effetto e doppio effetto, singolo stelo / Version "C" geeignet für: einfach und doppelt wirkend, Einzelkolbenstange
Versione "L" adatta per semplice effetto e doppio effetto, stelo passante / Version "L" geeignet für: einfach und doppelt wirkend, durchgehende Kolbenstange

Accessori alluminio Zubehör aus Aluminium



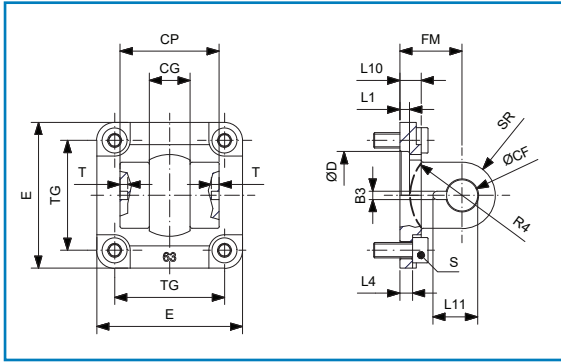
Cerniera maschio MP4 Lasche MP4

CODICE/CODE	TG	E	L	FL	MR	∅D	EW	L1	L4	∅CD	S
CRM20A	22	36	12	20	8	12	16	4.5	3	8	M5X16
CRM25A	26	39.5	12	20	8	12	16	4.5	3	8	M5X16
CRM32A	32.5	45	13	22	10	30	26	5	5.5	10	M6X20
CRM40A	38	52	16	25	12	35	28	5	5.5	12	M6X20
CRM50A	46.5	65	16	27	12	40	32	5	6.5	12	M8X20
CRM63A	56.5	75	21	32	16	45	40	5	6.5	16	M8X20
CRM80A	72	95	22	36	16	45	50	5	10	16	M10X25
CRM100A	89	115	27	41	20	55	60	5	10	20	M10X25



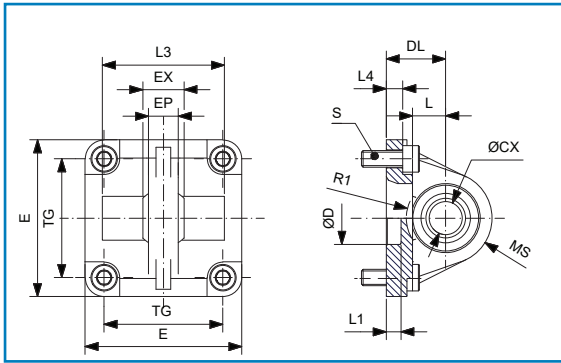
Cerniera femmina MP2 Gabelbefestigung MP2

CODICE/CODE	TG	E	L4	L	FL	MR	∅D	CB	UB	∅CD	L1	S
CRF32A	32.5	45	5.5	13	22	10	30	26	45	10	5	M6X20
CRF40A	38	52	5.5	16	25	12	35	28	52	12	5	M6X20
CRF50A	46.5	65	6.5	16	27	12	40	32	60	12	5	M8X20
CRF63A	56.5	75	6.5	21	32	16	45	40	70	16	5	M8X20
CRF80A	72	95	10	22	36	16	45	50	90	16	5	M10X25
CRF100A	89	115	10	27	41	20	55	60	110	20	5	M10X25



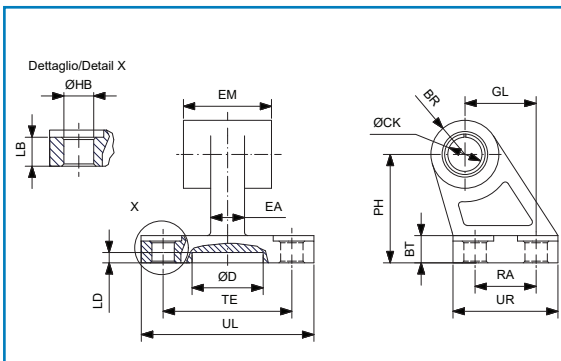
Cerniera stretta per snodo sferico AB6
Gabelbefestigung AB6

CODICE/CODE	E	CP	CG	TG	FM	L1	L10	L4	ØD	ØCF	T	B3	L11	SR	R4	S
CFS32A	45	34	14	32.5	22	5	9	5.5	30	10	3	3.3	16.5	9.5	17	M6X20
CFS40A	52	40	16	38	25	5	9	5.5	35	12	4	4.3	18	12	20	M6X20
CFS50A	65	45	21	46.5	27	5	11	6.5	40	16	4	4.3	23	14	22	M8X20
CFS63A	75	51	21	56.5	32	5	11	6.5	45	16	4	4.3	23	17	25	M8X20
CFS80A	95	65	25	72	36	5	14	10	45	20	4	4.3	27	21	30	M10X25
CFS100A	115	75	25	89	41	5	14	10	55	20	4	4.3	27	21	32	M10X25



Cerniera maschio snodata MP6
Schwenklager sphärisch MP6

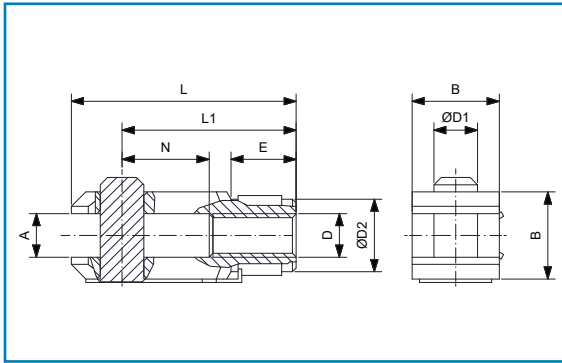
CODICE/CODE	TG	ØCX	DL	L	EX	EP	L4	D	L1	E	MS	L3	R1	S
CMT32A	32.5	10	22	12	14	10.5	5.5	30	5.5	45	16	-	-	M6X20
CMT40A	38	12	25	15	16	12	5.5	35	5.5	52	18	-	-	M6X20
CMT50A	46.5	16	27	15	21	15	6.5	40	5.5	65	21	51	19	M8X20
CMT63A	56.5	16	32	20	21	15	6.5	45	6	75	23	-	-	M8X20
CMT80A	72	20	36	20	25	18	10	45	9	95	28	74	24	M10X25
CMT100A	89	20	41	25	25	18	10	55	9	115	30	-	-	M10X25



Articolazione a squadra AB7
Lagerbock AB7

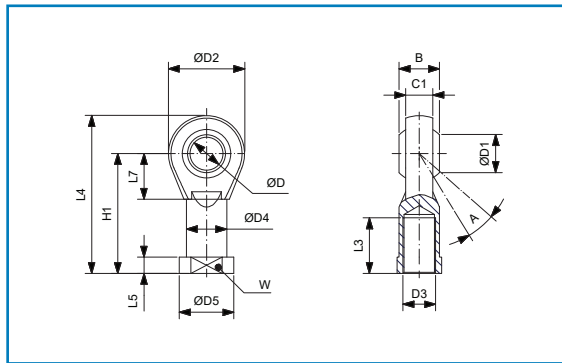
CODICE/CODE	ØCK	EM	BR	PH	GL	ØHB	LB	BT	TE	RA	ØD	LD	UL	UR	EA
ART32A	10	26	10	32	21	6.6	6.4	8	38	18	21	3	51	31	10
ART40A	12	28	11	36	24	6.6	8.4	10	41	22	21	3	54	35	15
ART50A	12	32	13	45	33	9	10.4	12	50	30	21	3	65	45	16
ART63A	16	40	15	50	37	9	12.4	14	52	35	21	3	67	50	16
ART80A	16	50	15	63	47	11	11.5	14	66	40	21	3	86	60	20
ART100A	20	60	19	71	55	11	14.5	17	76	50	11	3	96	70	20

Accessori acciaio
Zubehör aus Stahl



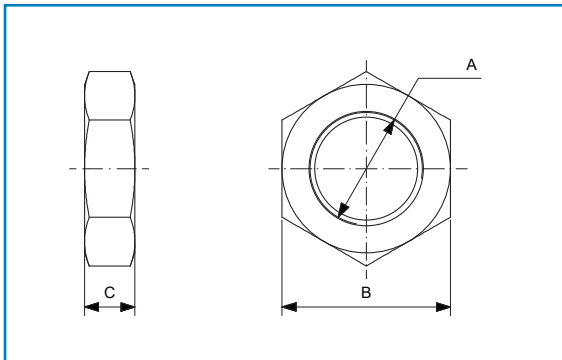
Forcella con clip
Gabelkopf mit Sicherungsclip

CODICE/CODE	D	A	F	L1	N	E	B	D1	D2	L
FORM8ISO	M8	8	0.5	32	16	12	16	8	14	42
FORM10ISO	M10X1.25	10	0.5	40	20	15	20	10	18	52
FORM12ISO	M12X1.25	12	0.5	48	24	18	24	12	20	62
FORM16ISO	M16X1.5	16	1	64	32	24	32	16	26	83



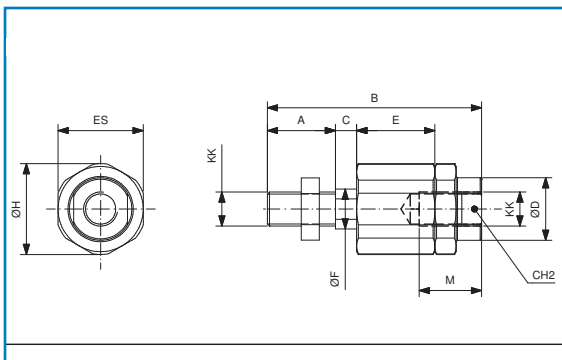
Testa a snodo
Gelenkkopf

CODICE/CODE	D3	W	L3	A	ØD	ØD1	C1	B	ØD4	ØD5	L5	L7	H1	L4	D2
TSNDM8X1.25	M8	14	16	14°	8	10.4	9	12	12.5	16	5	13	36	48	24
TSNDM10X1.25	M10X1.25	17	20	13°	10	12.9	10.5	14	15	19	6.5	15	43	57	28
TSNDM12X1.25	M12X1.25	19	22	13°	12	15.4	12	16	17.5	22	6.5	17	50	66	32
TSNDM16X1.5	M16X1.50	22	28	15°	16	19.3	15	21	22	27	8	23	64	85	42



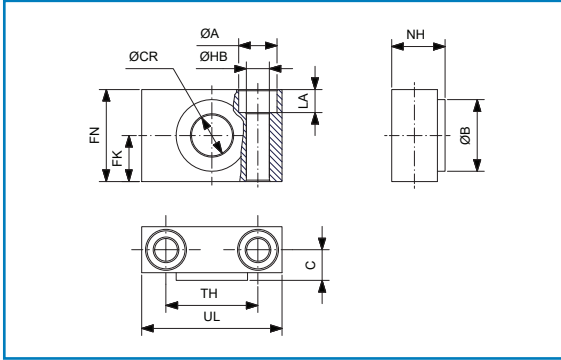
Dado stelo
Mutter Kolbenstange

CODICE/CODE	A	B	C
ANA20	M8X1.25	13	5
ANA25	M10X1.25	17	6
ANA40B	M12X1.25	19	7
ANA50B	M16X1.5	24	8



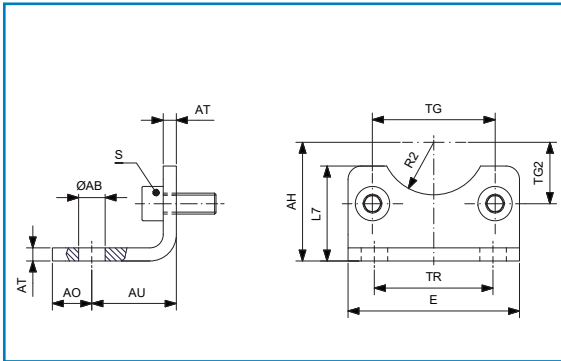
Giunto autoallineante
Ausgleichskupplung

CODICE/CODE	KK	B	M	C	E	ØF	ØD	ØH	ES	CH1	CH2
GASM8x1.25	M8X1.25	58	21	4	24.5	8	12.5	19	17	7	11
GASM10x1.25	M10X1.25	74.5	23	6.5	29	14	22	32	30	12	19
GASM12x1.25	M12X1.25	75	24	6.5	29	14	22	32	30	12	19
GASM16x1.50	M16X1.5	103	30	10	44	22	32	45	41	20	30



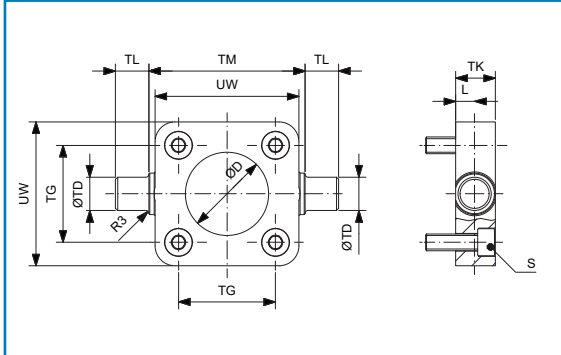
Supporto per cerniera intermedia
Lagerbock für Schwenkzapfenbefestigung

CODICE/CODE	ØCR	FN	FK	ØHB	ØA	LA	TH	C	UL	NH	ØB
SUP32S	12	30	15	6.6	11	7	32	10.5	46	18	22
SUP4050S	16	36	18	9	15	9	36	12	55	21	28
SUP6380S	20	40	20	11	18	11	42	13	65	23	32
SUP100125S	25	50	25	14	20	13	50	16	75	28.5	39



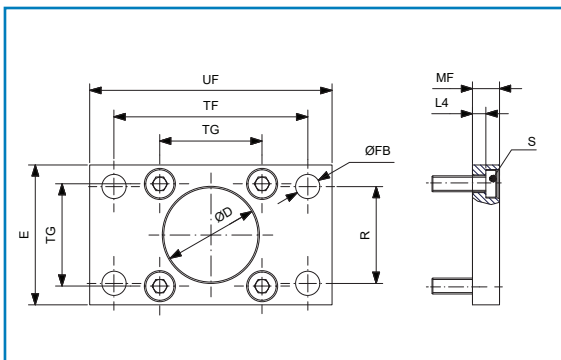
Piedino basso MS1
Fussbefestigung MS1

CODICE/CODE	TG	TG2	AH	R2	ØAB	AO	AU	TR	AT	S	L7	E
AFD32S	32.5	16.25	32	15	7	11	24	32	4	M6X16	30	45
AFD40S	38	19	36	17.5	10	8	28	36	4	M6X16	30	52
AFD50S	46.5	23.25	45	20	10	15	32	45	5	M8X20	36	65
AFD63S	56.5	28.25	50	22.5	10	13	32	50	5	M8X20	35	75
AFD80S	72	36	63	22.5	12	14	41	63	6	M10X20	47	95
AFD100S	89	44.5	71	27.5	14.5	16	41	75	6	M10X20	53	115



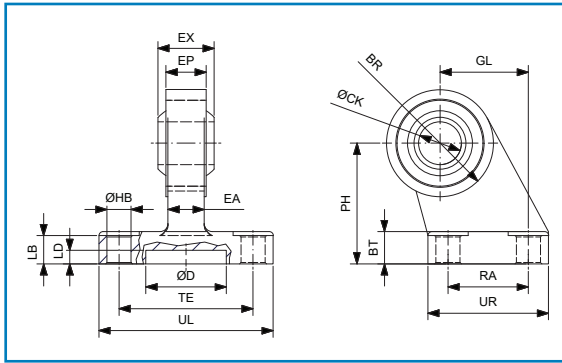
Cerniera anteriore/posteriore MT5/MT6
Schwenkzapfenbefestigung vorn/hinten MT5/MT6

CODICE/CODE	TG	UW	TM	TL	ØTD	ØD	TK	R3	L	S
CRB32S	32.5	46	50	12	12	30	14	1	6.5	M6X20
CRB40S	38	59	63	16	16	35	19	1.5	9	M6X25
CRB50S	46.5	69	75	16	16	40	19	1.6	9	M8X25
CRB63S	56.5	84	90	20	20	45	24	1.6	11.5	M8X30
CRB80S	72	102	110	20	20	45	24	1.6	11.5	M10X30
CRB100S	89	125	132	25	25	55	29	2	14	M10X35



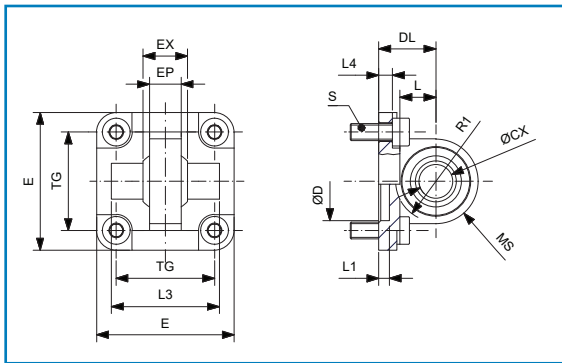
Flangia MF1/MF2
Flanschbefestigung MF1/MF2

CODICE/CODE	TG	ØD	ØFB	R	TF	L4	S	UF	E	MF
AFP32S	32.5	30	7	32	64	5	M6X20	80	45	10
AFP40S	38	35	9	36	72	5	M6X20	90	52	10
AFP50S	46.5	40	9	45	90	6.5	M8X20	110	65	12
AFP63S	56.5	45	9	50	100	6.5	M8X20	120	75	12
AFP80S	72	45	12	63	126	9	M10X25	150	95	16
AFP100S	89	55	14	75	150	9	M10X25	170	115	16



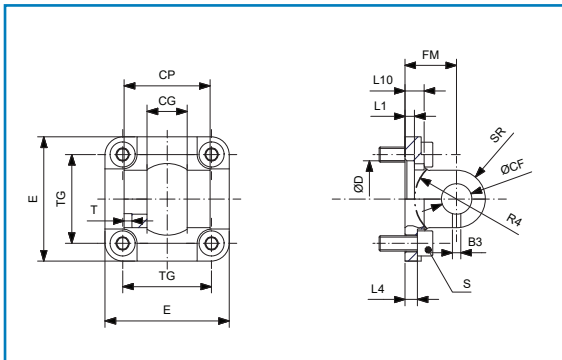
Articolazione a squadra con testa snodata DIN 648K
Lagerbock sphärisch DIN 648K

CODICE/CODE	øHB	RA	UR	GL	BT	PH	TE	UL	BR	EP	øCK	LB	øD	LD	EA	EX
ARS32S	6.6	18	31	21	10	32	38	51	15	10.5	10	8.5	20	5	8.5	14
ARS40S	6.6	22	35	24	10	36	41	54	18	12	12	8.5	25	5	10	16
ARS50S	9	30	45	33	12	45	50	65	20	15	16	10.5	30	5	13.5	21
ARS63S	9	35	50	37	12	50	52	67	23	15	16	10.5	35	5	13.5	21
ARS80S	11	40	60	47	14	63	66	86	27	18	20	11.5	45	5	15	25
ARS100S	11	50	70	55	15	71	76	96	30	18	20	12.5	55	5	15	25



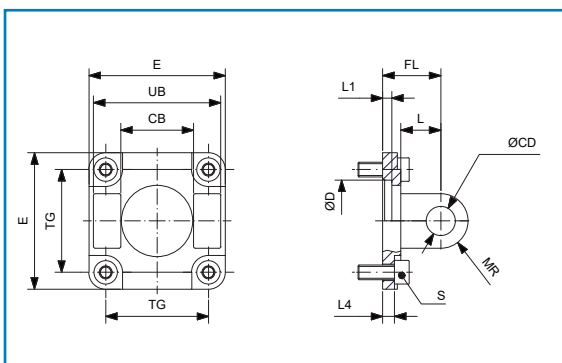
Cerniera maschio snodata MP6
Schwenklager sphärisch MP6

CODICE/CODE	TG	EP	DL	ØCX	MS	ØD	E	L4	L1	L3	R1	EX	S	L
CMT32S	32.5	10.5	22	10	15	30	45	5.5	5	-	-	14	M6X20	14
CMT40S	38	12	25	12	18	35	55	5.5	5	-	-	16	M6X20	17
CMT50S	46.5	15	27	16	20	40	65	6.5	5	51	19	21	M8X20	17
CMT63S	56.5	15	32	16	23	45	75	6.5	5	-	-	21	M8X20	22
CMT80S	72	18	36	20	27	45	95	10	5	70	24	25	M10X25	23
CMT100S	89	18	41	20	30	55	115	10	5	-	-	25	M10X25	28



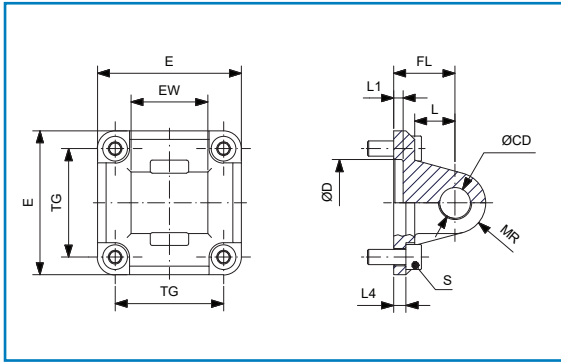
Cerniera stretta per snodo sferico AB6
Gabelbefestigung AB6

CODICE/CODE	E	CP	CG	TG	FM	L1	L10	L4	ØD	ØCF	T	B3	SR	R4	S
CFS32S	45	34	14	32.5	22	5	8	5.5	30	10	3	3.3	10	17	M6X20
CFS40S	55	40	16	38	25	5	8	5.5	35	12	4	4.3	12	20	M6X20
CFS50S	65	45	21	46.5	27	5	10	6.5	40	16	4	4.3	15	22	M8X20
CFS63S	75	51	21	56.5	32	5	10	6.5	45	16	4	4.3	15	25	M8X20
CFS80S	95	65	25	72	36	5	13	10	45	20	4	4.3	20	30	M10X25
CFS100S	115	75	25	89	41	5	13	10	55	20	4	4.3	20	32	M10X25



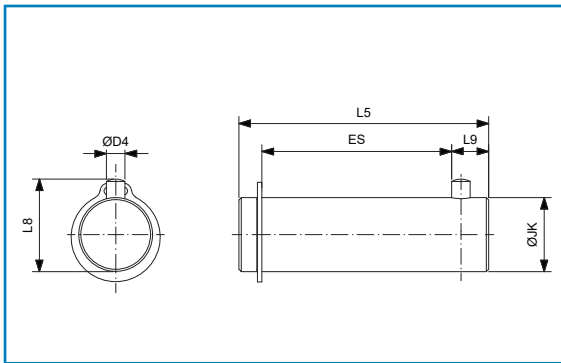
Cerniera femmina MP2
Gabelbefestigung MP2

CODICE/CODE	TG	CB	UB	ØCD	FL	L	ØD	L1	L4	S	MR	E
CRF32S	32.5	26	45	10	22	14	30	5	5.5	M6X20	10	45
CRF40S	38	28	52	12	25	17	35	5	5.5	M6X20	12	55
CRF50S	46.5	32	60	12	27	17	40	5	6.5	M8X20	12	65
CRF63S	56.5	40	70	16	32	22	45	5	6.5	M8X20	15	75
CRF80S	72	50	90	16	36	23	45	-	10	M10X25	15	95
CRF100S	89	60	110	20	41	28	55	-	10	M10X25	20	115



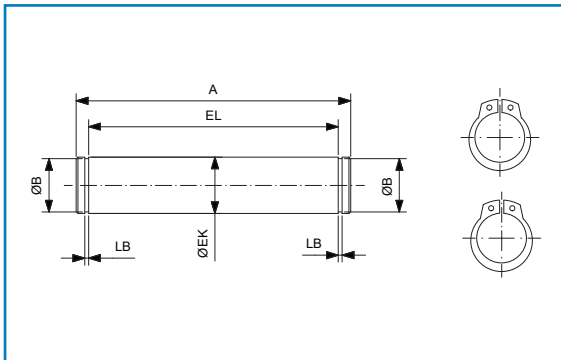
Cerniera maschio MP4
Lasche MP4

CODICE/CODE	TG	E	EW	FL	L1	L4	ØD	ØCD	MR	L	S
CRM32S	32.5	45	26	22	5	5.5	30	10	10	13	M6X20
CRM40S	38	55	28	25	5	5.5	35	12	12	16	M6X20
CRM50S	46.5	65	32	27	5	6.5	40	12	12	16	M8X20
CRM63S	56.5	75	40	32	5	6.5	45	16	16	21	M8X20
CRM80S	72	95	50	36	5	10	45	16	16	22	M10X25
CRM100S	89	115	60	41	5	10	55	20	20	27	M10X25



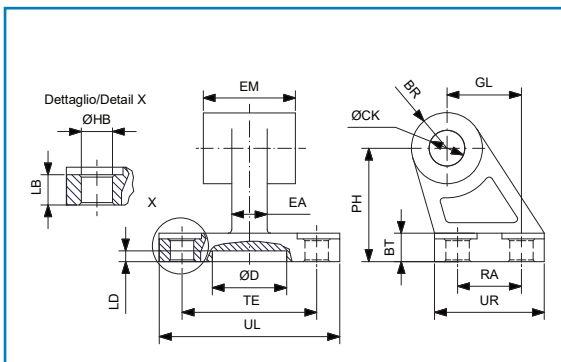
Perno per cerniera snodata AA6
Stift für Schamier AA6

CODICE/CODE	ØD4	L8	ØJK	L5	L9	ES
PRS32S	3	14	10	41	6.5	30.5
PRS40S	4	16	12	48	8	36
PRS50S	4	20	16	54	8	41
PRS63S	4	20	16	60	8	47
PRS80S	4	24	20	75	8	61
PRS100S	4	24	20	85	8	71



Perno per cerniera femmina AA4
Stift für Schamier AA4

CODICE/CODE	ØEK	EL	ØB	LB	A
PRC32S	10	46	9.6	1.1	53
PRC40S	12	53	11.5	1.1	60
PRC50S	12	61	11.5	1.1	68
PRC63S	16	71	15.2	1.1	78
PRC80S	16	91	15.2	1.1	98
PRC100S	20	111	19	1.3	118



Articolazione a squadra AB7
Lagerbock AB7

CODICE/CODE	ØHB	RA	UR	GL	BT	PH	TE	UL	BR	EM	ØCK	LB	ØD	LD	EA
ART32S	6.6	18	31	21	8	32	38	51	10	26	10	6.5	20	5	8.5
ART40S	6.6	22	35	24	10	36	41	54	11	28	12	8.5	25	5	10
ART50S	9	30	45	33	12	45	50	65	13	32	12	10.5	30	5	13.5
ART63S	9	35	50	37	12	50	52	67	15	40	16	10.5	35	5	13.5
ART80S	11	40	60	47	14	63	66	86	15	50	16	11.5	45	5	15
ART100S	11	50	70	55	15	71	76	96	18	60	20	12.5	55	5	15



Via del Commercio, 13
23017 Morbegno (SO) Italia
Tel +39 0342/605011
Fax +39 0342/614971

www.cypag.com
sales@cypag.com